



AMERICAN SPECIALTIES, INC.

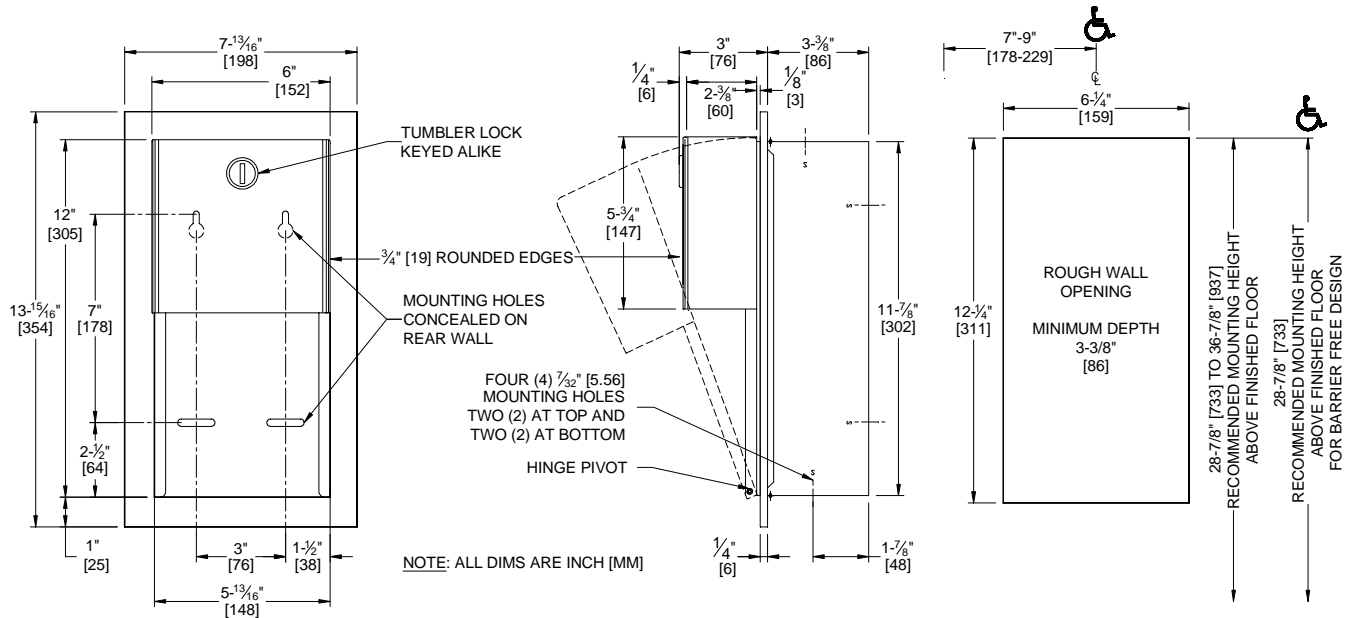
441 Saw Mill River Road, Yonkers, NY 10701 (914) 476-9000
www.americanspecialties.com

MODEL No: 0033

ISSUED: 10-05

REVISED: 02-08

SEMI-RECESSED MOUNTED TWIN HIDE-A-ROLL TOILET PAPER DISPENSER



SPECIFICATION

Semi-Recessed Mounted Twin Hide-A-Roll Toilet Paper Dispenser for reduced partition and wall projection shall hold and dispense two (2) standard or two (2) 5-1/4" diameter (Ø133) 1800 sheets paper rolls. Unit shall have door, door frame, and dispensing mechanism guide tracks fabricated of 18 gauge type 304 stainless steel alloy 18-8. Cabinet body shall be 22 gauge same grade. All exposed surfaces shall be N° 4 satin finish and be protected during shipment with PVC film easily removable after installation. Internal mechanism levers shall be fabricated of molded high-impact resistant plastic for smooth operation. Structural assembly of body and door components shall be of welded construction. Door hinge shall be heavy-duty stainless steel 3/16" diameter (Ø4.8) rivets. Door shall have 3/4" (19) rounded vertical edges with all corners welded and ground smooth with no open miters and shall be held closed with a standard cylinder tumbler lock keyed alike to other ASI washroom equipment. Cabinet shall include theft and vandal resistant rollers that shall be of molded high-impact resistant plastic with integral molded-in plated steel endpins and two (2) rollers [p/n R-004] shall be supplied.

Semi-Recessed Mounted Twin Hide-a-Roll Toilet Paper Dispenser for reduced partition and wall projection shall be Model N° 0033 as manufactured by American Specialties, Inc., 441 Saw Mill River Road Yonkers, New York 10701-4913

INSTALLATION

Semi-recess mounted unit in wall using four (4) N°10 self-tapping screws (by others). Mounting holes are provided in top and bottom of unit for installation. Alternate top two mounting holes through back are "keyhole" slots for ease in hanging unit on pre-installed screws and bottom two mounting holes are horizontal slots for ease of adjustment. For compliance with ADA Accessibility Guidelines, top of cutout should be 28-7/8" (733) above finished floor.

RWO (Rough Wall Opening) required is 6-1/4" W x 12-1/4" H x 3-3/8" D min. (159 x 311 x 86)

OPERATION

Reloading instructions are printed on graphic label inside door. Bottom roll is depleted prior to top roll automatically dropping into lower position for use. Empty rollers cannot be removed without key unlocking door.

Accessory Specialties

AMERICAN DISPENSER

Desert Ray Products

WATROUS inc.