



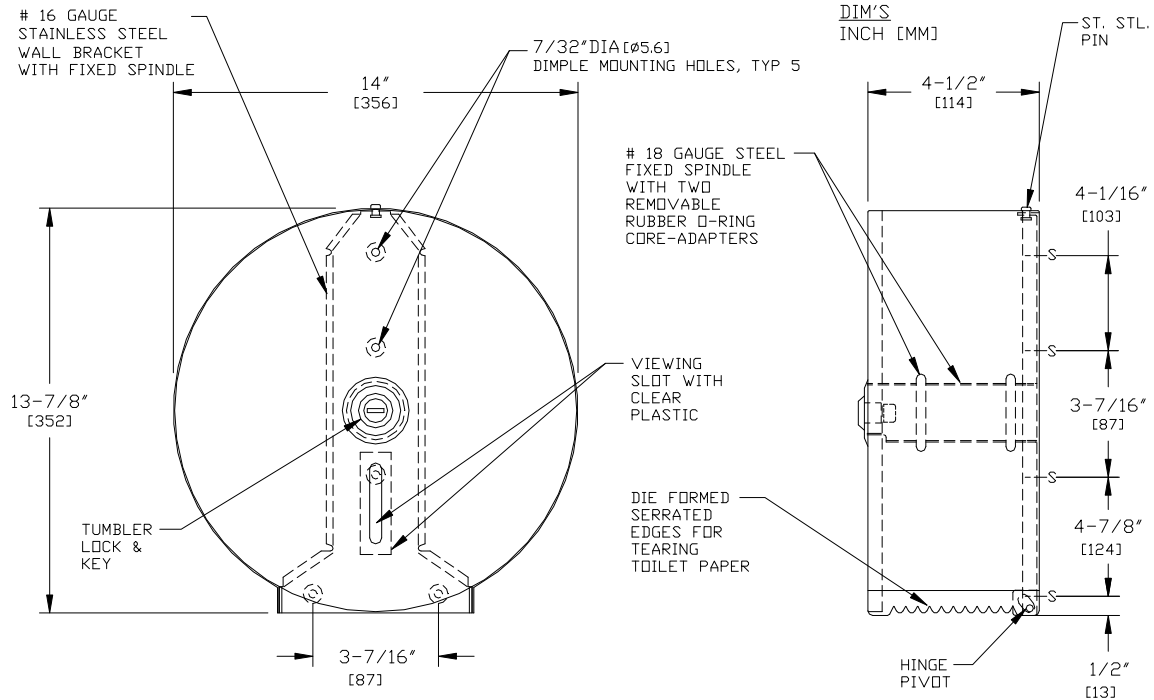
AMERICAN SPECIALTIES, INC.
 441 Saw Mill River Road, NY 10701
 (914) 476.9000 • (914) 476.0688
 www.americanspecialties.com

MODEL №: 0046

ISSUED: 10/2013

REVISED:

SURFACE MOUNTED JUMBO ROLL TOILET PAPER DISPENSER



SPECIFICATION

Surface Mounted Jumbo Roll Toilet Paper Dispenser shall hold one (1) roll up to 13-1/2" diameter (Ø343) and 4-5/16" (110) wide with 1-5/8" inside diameter (Ø41.3) core minimum or 2-1/4" diameter (Ø57) core or larger. Cover shall be of one piece construction of 22 gauge type 304 stainless steel alloy 18-8 with welded skirt and shall be hung on stainless steel pin hinges. Cover shall have shoulder pin at top to interlock back plate V-notch when closed and shall be held closed by a tumbler lock keyed to other ASI washroom equipment with key provided. Mounting bracket shall have five (5) mounting holes to suit № 10 flat head screws (by others). A viewing slot with clear plastic window shall continuously indicate supply level. Unit shall accommodate smaller core size roll by removing the rubber core adapter O-rings. Opening on bottom of cabinet shall have stainless steel teeth on both sides for tearing toilet paper. All exposed surfaces shall be satin finish and shall be protected during shipment with heavy gauge clear plastic bag to be removed before unit installation.

Surface Mounted Jumbo Roll Toilet Paper Dispenser shall be Model № 0046 of American Specialties, Inc., 441 Saw Mill River Road, Yonkers, New York 10701- 4913

INSTALLATION

For general utility surface mount unit within 12" (305) of front of toilet from center line and 31" (787) above finished floor (AFF) from bottom of unit with five (5) № 10 flat head screws (by others) through mounting holes provided. For compliance with 2010 ADA Accessibility Standards install unit so that centerline of dispenser opening is between 7" and 9" (178 to 229) from front of commode and bottom of outlet opening is 15" (381) minimum above finished floor (AFF) to 48" (1219) max AFF.

OPERATION

One (1) 13-1/2" (Ø343) max OD jumbo roll of toilet paper with core ID of 2-1/4"(Ø57) or larger and 4-5/16" (110) face width may be hung on fixed spindle when cover is opened. Alternatively one (1) 1-5/8" ID (Ø41.3) core roll may be used by removing the rubber core adapter rings. Viewing slot continuously reveals tissue level. Key locked cover prevents unauthorized access or removal. Roll is replaced on a cycle determined by maintenance needs.