



Hand Dryer **Operating Instructions and Parts Manual** Surface-mounted High-Speed hand dryer

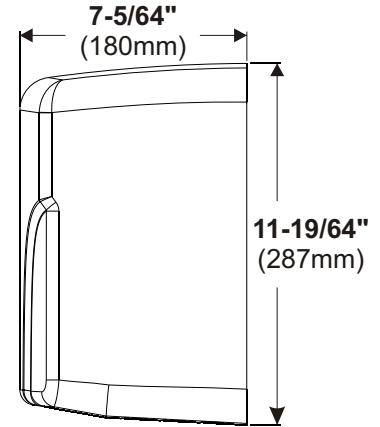
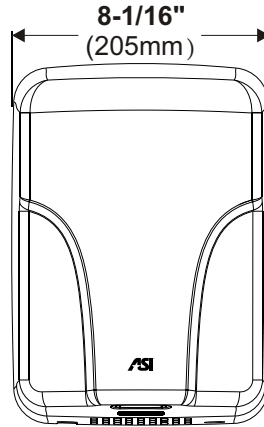
PLEASE CAREFULLY READ THROUGH THIS MANUAL BEFORE USING THE PRODUCT. OBSERVING ALL SAFETY INFORMATION, WARNINGS AND CAUTIONS WILL PROTECT YOURSELF AND OTHERS. PLEASE KEEP INSTRUCTIONS FOR FUTURE REFERENCE.



MODEL # 0197-1

MODEL # 0197-2

Patent Pending



TECHNICAL SPECIFICATIONS

ITEM CATEGORY	PERFORMANCE DATA
Operating Voltage, 0197-1	120VAC, 50/60Hz, 1.6kW
Operating Voltage, 0197-2	240VAC, 50/60Hz, 1.6kW
Output Warm Air Volume	48 - 68CFM {81 - 116 m ³ /h}, Adjustable by Owner
Output Warm Air Temp	140°F {60°C} at ambient T = 77°F {25°C}, MAX, Adjustable by Owner
Output Air Speed	156mph (229ft/s) [70m/s {251km/h}] - 224mph (329ft/s) [100m/s {361km/h}], Adjustable by Owner
Sound Pressure	MIN 65.4 dB-A to 69.0 dB-A MAX @ 2m
Motor Type	1HP, 7 - 18k rpm, Adjustable, Brush Type, Dual Ball Bearings
Motor Thermal Protection	120 VAC, Auto Resetting Thermostat turns unit off at 275°F {135°C}
	240 VAC, Auto Resetting Thermostat turns unit off at 203°F {95°C}
Heater Element	400 - 900W, Adjustable by Owner
Heater Thermal Protection	Auto Resetting Thermostat turns unit off at 185°F {85°C}, Resets at 167°F {75°C}
Drying Time	Less than 15 seconds
Circuit Operation	Infrared Automatic, self adjusting
Sensor Range	5-1/8" to 13-25/32" {130mm to 350mm}, Adjustable; Standard 7" {178mm ± 20mm}
Timing Protection	60 seconds auto shut off
Timing Duration	2 seconds delayed turn off after last sensor read
Cover Type	16gauge {.063", 1.6mm} thick drawn steel or 304 series stainless steel
Cover Finish	Porcelain Enamel on steel or Bright or Satin on stainless steel
Net Weight	12.8lbs {5.8kg}
Shipping Weight	13.7lbs {6.2kg}
Unit Size	8-1/16" W x 11-19/64 " H x 7-5/64" D {205mm x 287mm x 180mm}

Input	Model	Motor			Heater		Total	
		Vac	Inrush A(W)	Operating A (W)	Vac	Inrush / Operating A(W)	Inrush A(W)	Operating A(W)
115	0197-1	115	8.38 (965)	5.59 (643)	115	7.19 (827)	15.57 (1791)	12.78 (1470)
120	0197-1	120	8.75 (1050)	5.83 (700)	120	7.5 (900)	16.25 (1950)	13.33 (1600)
208	0197-2	208	3.8 (789)	2.53 (526)	208	3.25 (676)	7.05 (1466)	5.78 (1202)
230	0197-2	230	4.19 (964)	2.80 (643)	230	3.59 (827)	7.78 (1791)	6.39 (1470)
240	0197-2	240	4.38 (1050)	2.92 (700)	240	3.75 (900)	8.13 (1950)	6.67 (1600)

General safety information

⚠ WARNING *This product is intended for installation by a qualified service person. Use AWG NO. 12 solid conductor for wiring.*

⚠ WARNING *Disconnect power at the service breaker before installing or servicing.*

⚠ DANGER *Failure to properly ground unit could result in severe electrical shock and/or death.*

⚠ WARNING *All units must be supplied with a 3-wire service. The ground wire must be connected to the dryer's backplate.*

Installation

-- NOTE: Do not install dryer over washbasin --

1. Make sure power supply breaker is switched off. Installation must be carried out in accordance with the current edition of the local wiring regulations code having jurisdiction. Installation should be performed only by a qualified electrician.
2. Place template against wall at desired height (see mounting height recommendations) and mark locations of 4 mounting holes and wire service entry at knockout (KO) location.
Note: For two or more dryers, dryers should be no closer than 24 inches (610 mm) on center.
3. Remove and retain 2 cover screws and cover.
4. a. **For in-wall (concealed) power supply -**
Provide supply wire to KO location according to local code and attach securely to chassis at KO with appropriate strain relief connector (not supplied).
b. **For Surface Mounted Conduit (exposed) power supply -**
Provide appropriate conduit to entry location according to local code and attach securely to chassis with correct strain relief connector (not supplied).
5. Drill four (4) holes at locations A, B, C and D of 5/16" Diameter (Ø8) x 1-3/8" (35mm) deep if using wall anchors supplied with unit. Install supplied anchors flush with wall face, or install other fastening system suitable for wall conditions (not supplied). Attach dryer to wall. For wood wall/studs use 1/4" dia. (M6) screws at length that will ensure 1" (25 mm) min. stud penetration. For masonry walls use expansion bolts or anchors for 1/4" dia. (M6) screws to ensure penetration 1/4" (6 mm) deeper than anchor. Shim if necessary to ensure base plate is flat against wall.
6. Connect supply and ground wires to terminal block where indicated or connect supply wires to terminal block where indicated and connect ground wire to base plate with ground screw.

Connections:

- A. Connect the live wire (colored Brown, Red or Black) to the terminal block marked "L".
- B. Connect the neutral wire (colored Black, Blue, White or Grey) or connect the second live wire (colored Red or Orange) to the terminal block marked "N".
- C. Connect the ground wire to the terminal block marked "⊕" or to the green screw marked "⊕".
Bare grounding (earth) wires should be sleeved with green and yellow or green tubing.

Colors of live and neutral wires depend on voltage of supply service and requirements of Building and Electrical Code having jurisdiction.

7. Replace cover. Do not over-tighten screws.

Installation Kit Included (find in carton)

1. Self-Threading screws 1/4" dia. x 1-3/4" (M6 x 44) x 4 pcs
2. Plastic expansion anchor 5/16" dia. x 1-3/8" (Ø8 x 35) x 4 pcs

Service Tool Included (with installation kit)

Security hex driver 4 mm x 1 pc



Please unpack the unit and check the quantity of the above tool and kit.

Recommended mounting heights

- from bottom edge of dryer above finished floor (AFF)
SEE TEMPLATE 08031731

Men	50"	(1270 mm)
Women	47"	(1194 mm)
Children 4-7 years	35"	(889 mm)
Children 8-10 years	39"	(991 mm)
Children 11-13 years	43"	(1092 mm)
Children 14-16 years	47"	(1194 mm)
Handicaped	40"	(1016 mm)

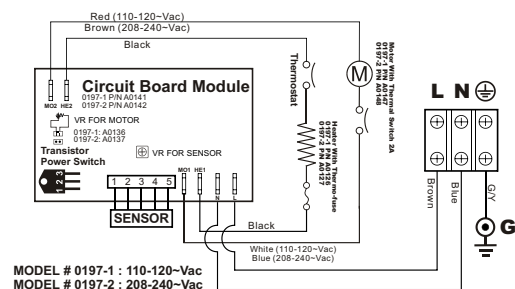
Reference **ADAAG** AFF (maximum)
Reach **LIMIT** (unrestricted)

All Approaches 48" (1219 mm)

Operation

- Shake excess water from hands.
- Place hands under the nozzle and dryer automatically starts operation.
- Rub hands lightly and rapidly under the nozzle.
- Dryer stops when hands are removed from sensor zone or if maximum time is reached.

Circuit Diagram



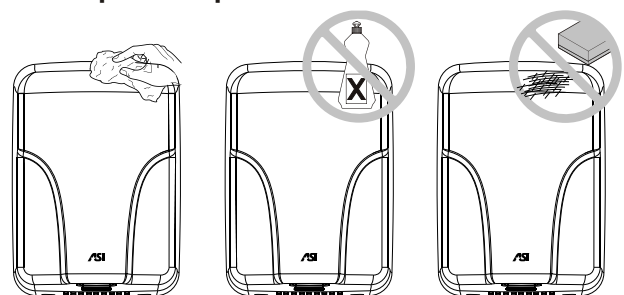
Sensor range adjustment

1. The range is 5-1/8" to 13-25/32" [130 mm to 350 mm], standard setting is 7" [178 mm ± 20 mm].
2. Clockwise: Increases the sensing range(+) ↻
3. Counterclockwise: Decreases the sensing range(-) ↻
4. Use small Phillips head screwdriver or plastic flat blade probe to turn VR shaft on Circuit Board Module (CBM). **DO NOT OVERTURN!**

Cleaning and Maintenance

Periodic cleaning of the unit is recommended to ensure optimum performance.

- Disconnect the electrical supply.
- Remove the two cover-mounting screws.
- Remove the cover.
- Clean all dust lint from the interior of the dryer.
- Wipe the cover with a damp cloth and mild cleaning solution. Do not Soak. Never use abrasives to clean the cover.
- Replace the cover. Do not over tighten the screws.



Patent Pending

Warranty

All of our dryers are designed and manufactured to provide years of dependable performance. Component parts are guaranteed to be free of defects in material and workmanship for a period of **Five** years. This guarantee will be honored provided that the dryer is installed and maintained in accordance with the instructions. Parts damaged during the Installation are the purchaser's responsibility. **ASI's** warranty covers defects exclusively, and only liability for the replacement of defective parts will be accepted. This warranty does not cover wear and tear, or misuse and abuse. Transportation, freight costs and labor are also excluded. Defective parts must be returned prepaid, accompanied by the unit serial number, to the point of purchase. This warranty is granted solely to the original purchaser of the unit and is subject to registration.



Diagnostics and Remedies

Symptom	Corrective Actions for Initial Installation Failures
If the dryer will not run	First ensure that the breaker supplying the dryer is operational. If it is, disconnect the power and remove the dryer cover. Taking suitable precautions to avoid shock hazard, reconnect the power and check for Voltage at the terminal block. Verify that connections are made correctly. Adjust the VR to make sure it is not set too low.
The dryer cycles by itself or runs constantly	Ensure that there is no obstruction on or in front of the IR sensor. Clean any dirt or debris off the sensor lens. If problem persists, replace sensor.
The dryer makes a loud noise and does not run for a complete cycle	Ensure that the supply Voltage is correct. Dryer will make a loud humming noise if the input Voltage is too high. Verify Voltage requirement on unit rating label and correct supply as required. If CBM has been damaged, replace CBM, IR sensor module and VR component and cable.
The dryer runs but air stream is low pressure and/or low velocity	Ensure that the supply Voltage is correct. Dryer will run weakly if the input Voltage is too low. Verify Voltage requirement on unit rating label and correct supply as required.

Symptom	Corrective Actions for In-Service Failures
If the dryer will not run	First ensure that the breaker supplying the dryer is operational. If it is, disconnect the power and remove the dryer cover. Replace the CBM and IR sensor module. Test the VR for open circuit (see Technical Specifications for value). Replace VR if $\Omega = \infty$. Taking suitable precautions to avoid shock hazard, reconnect the power and check for Voltage at the terminal block.
The IR sensor only "sees" close range objects	Ensure that there is no obstruction on or in front of the IR sensor. Clean any dirt or debris off the sensor lens. If problem persists, disconnect the power and remove the dryer cover. Taking suitable precautions to avoid shock hazard, reconnect the power and try carefully adjusting the sensitivity control (yellow shaft in blue box on CBM) to increase the sensing range. If problem persists, replace sensor.
The heater gets hot but no air stream is produced	Disconnect the power. Remove the dryer cover and disassemble the blower-motor/fan housing. Replace the fan motor.
The dryer only blows cold air during a full cycle	Disconnect the power. Remove the dryer cover and disassemble the blower-motor/fan housing. Test the thermostat for open circuit. Check the heater element for signs of burning or breakage. Damaged element must be replaced.
The air stream is low pressure and velocity	Check the output nozzle for obstructions. If none are present, disconnect the power. Remove the dryer cover. Remove any dust/lint buildup from intake vent slots. Disassemble the blower-motor/fan housing. Check the motor brushes for worn condition ($\leq 25/64"$ [10 mm] graphite remains) and replace them, if necessary.

Speed Adjustment Procedure

Use flat blade screwdriver small enough to fit through access hole (3/16" dia. [Ø4,8mm]) in bottom grille of cover (item 1). The adjustment potentiometer (item 19) is visible through the slots of the grille. With respect to axis of screwdriver viewed from handle end, gently turn adjustment potentiometer shaft clock-wise [CW] to increase power to maximum (shaft will hard stop; DO NOT OVERTURN!). Turn tool gently CCW to reduce power as required (shaft will hard stop; DO NOT OVERTURN!). Note that at minimum power the unit may not start if low line Voltage condition exists.



Repair parts list

Key	Part #	Description	Qty	Key	Part #	Description	Qty
1		Cover	1	26	A0171	Blower housing bracket	1
	A0120	Steel - Porcelain Enamel		27	A0153	Label, Circuit Diagram	1
	A0121	Stainless Steel - Bright		28	A0068	CAUTION DISCON PWR label	1
	A0122	Stainless Steel - Satin		29		Rating Label	1
2	A0123	Security hex screw	2		A0151	0197-1	
3	A0124	Security hex screw wrench	1		A0152	0197-2	
4	A0154	Shock absorber	1	30		CBM Hook-Up Label	1
5		Motor	1		A0143	110-120Vac	
	A0147	1HP@120Vac			A0144	208-240Vac	
	A0148	1HP@240Vac		31		CAUTION label	1
6	A0167	Blower housing - Lower	1		A0131	120Vac - 12A	
7		Heater assembly	1		A0132	240Vac - 8A	
	A0126	900W@120Vac,16Ω		32	-	Screw M5x10,philips pan head	2
	A0127	900W@240Vac,64Ω		33	-	Self threading screw M4x10, philips pan head	11
8	A0169	Air Outlet	1				
9	A0170	Sensor bracket	1	34	-	Screw M3x8,philips pan head	2
10	A0129	Sensor module	1	35	-	Screw M4x8,philips pan head	2
11	A0130	Sensor protector	1	36	-	Screw M5x8,philips pan head	1
12	A0063	Sensor rubber seal	1	37	-	Screw M3x16,philips pan head	2
13	A0010	Terminal block	1	38		Screw M4x10,philips pan head with external tooth lock washer	1
14	A0133	Mylar shield with LNG marked	1				
15	A0011	Grounding screw with cup	1	39	-	Wires Harness (Not Shown)	1
16	A0012	Nylon cable clamp Ø5/16	1		A0156	110-120Vac	
17	A0149	VR mounting nut	1		A0157	208-240Vac	
18	A0135	Variable resistance bracket	1				
19	A0150	VR mounting ring	1				
20		Variable resistance (VR) with housing connector cable	1				
	A0136	50KΩ@120Vac					
	A0137	100KΩ@240Vac					
21		Circuit Board Module (CBM)	1				
	A0141	110-120Vac					
	A0142	208-240Vac	1				
22	A0134	Base plate	1				
23	A0146	Nylon hole bushing	1				
24	A0029	Motor rubber	1				
25	A0166	Blower housing - Upper	1				

Assembly Diagram

