



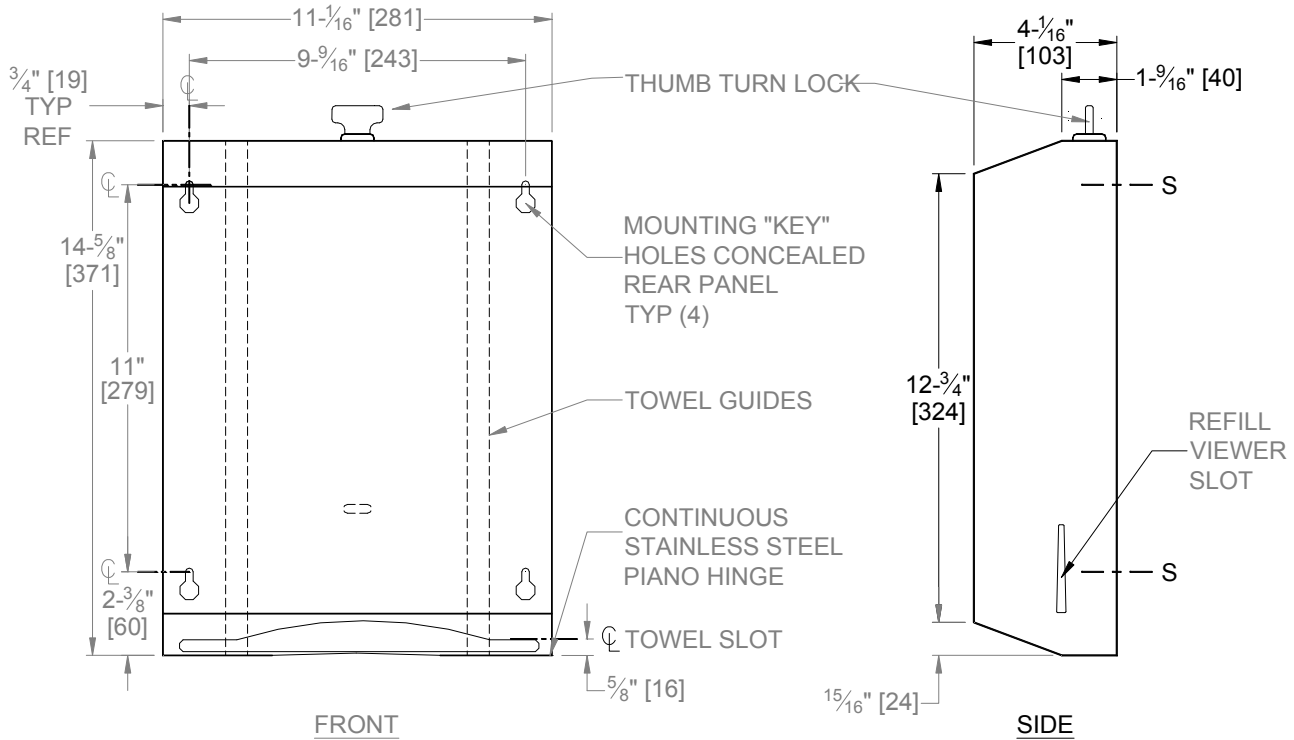
**AMERICAN SPECIALTIES, INC.**  
 441 Saw Mill River Road, NY 10701  
 (914) 476.9000 • (914) 476.0688  
 www.americanspecialties.com

**MODEL No: 0210-T**

**ISSUED: 08/10**

**REVISED: 07 Aug 2012**

## SURFACE MOUNTED PAPER TOWEL DISPENSER



### SPECIFICATION

Surface Mounted Paper Towel Dispenser shall hold and dispense 525 standard multi-fold or 400 standard C-fold paper towels and shall be fabricated 22 gauge type 304 stainless steel alloy 18-8. All exposed surfaces shall have a satin finish and shall be protected during shipment with PVC film easily removable after installation. Towel dispensing slot shall have a fully hemmed-in rolled edge for snag-free dispensing and user safety. Dispenser door shall be attached to the bottom of unit with a concealed full length 3/16" diameter (Ø4.8) heavy duty stainless steel multi-staked piano hinge and shall be held closed with a thumb turn lock. Structural assembly of body and door components shall be of welded construction. Unit shall be provided with refill viewer slots on each side. Unit shall have internal towel stack guides. Wall below unit shall be protected against accidental door drop by self-limiting body and hinge construction. Dispenser shall enable simplified installation by hanging on pre-installed screw pattern (by others).

**Surface Mounted Paper Towel Dispenser shall be Model No 0210-T as manufactured by American Specialties, Inc., 441 Saw Mill River Road, Yonkers, New York 10701-4913**

### INSTALLATION

Unit is surface mounted on wall or partition using five No 10 self-tapping screws (by others) through concealed mounting holes provided. Four mounting holes through back are keyhole slots for ease in hanging unit on pre-installed screws. Center top mounting hole is horizontal slot for ease of adjustment and vandal resistant locking. For compliance with 2010 ADA Accessibility Standards, install unit so that towel dispenser slot is 48" (1219) maximum AFF if clear floor access is provided or 46" (1168) maximum AFF if side reach over an obstruction (vanity) is only provided.

### OPERATION

Towels are self-feeding as withdrawn by hand until supply is depleted. Unit may be reloaded with a partial load in-place and will continue to feed properly. Low level of towel supply is indicated from 25% capacity to empty. Thumb turn locking door provides convenience for refill.