



AMERICAN SPECIALTIES, INC.
 441 Saw Mill River Road, NY 10701
 (914) 476.9000 • (914) 476.0688
 www.americanspecialties.com

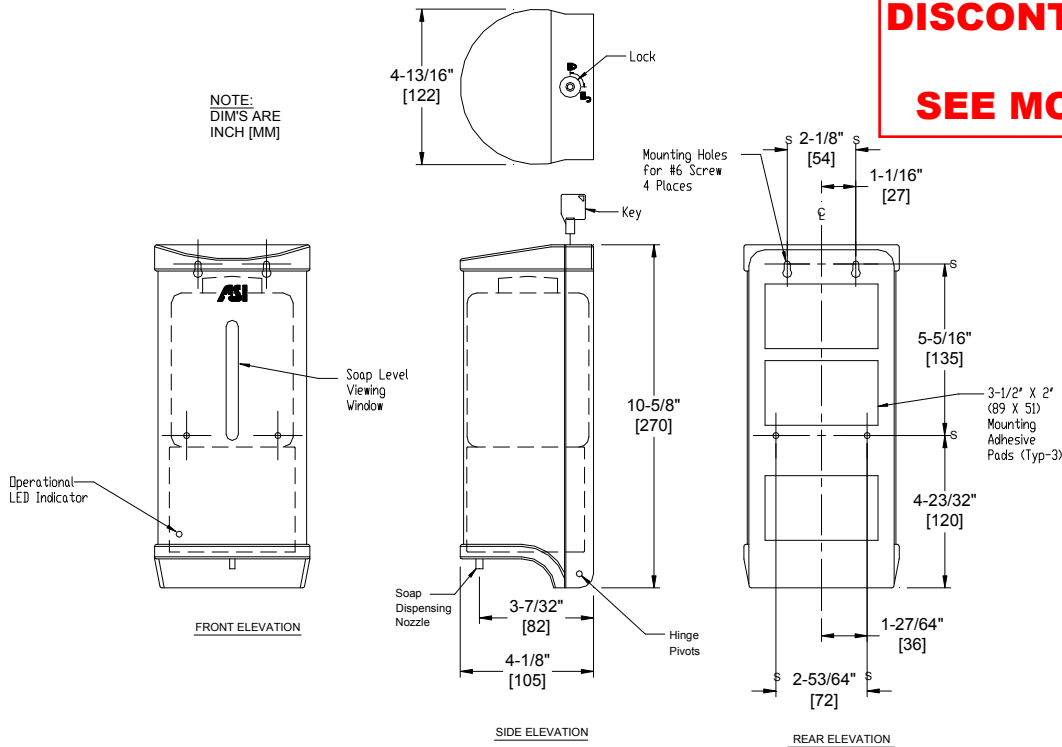
MODEL №: 0365

ISSUED: 06-13

REVISED: 27 June 2013

SURFACE MOUNTED STAINLESS STEEL AUTOMATIC FOAM SOAP DISPENSER

DISCONTINUED ITEM
SEE MODEL 20365



SPECIFICATION

Surface Mounted Stainless Steel Automatic Foam Soap Dispenser shall hold and dispense foaming soaps containing PCMX and/or Triclosan with a viscosity range of between 5 and 1500 mPa•s or cP (MilliPascal-sec or Centipoise). Capacity of the refillable soap cartridge provided shall be 850 ml (29 oz). Dispenser body shall be type 304 stainless steel alloy 18-8, with black high-impact ABS plastic top door, bottom plate and concealed gray high-impact ABS plastic back plate comprising a swing-open body secured with a top mounted lock which is opened with special barrel security key provided. All exposed stainless steel surfaces shall be satin finish. Dispenser shall be powered by four (4) AA-size (1.5 V) batteries (not supplied) and shall operate automatically from IR sensor that shall activate soap dispensing when hands are placed in sensor zone. Sensor detection range shall be preset at 2-3/8" (60) ± 1-1/2" (38) and shall self-compensate for lighting conditions. An indicator LED shall provide status notification of battery condition and user sensor detection. Unit shall dispense a volume of .2 ~ .3 fl oz (6 ~ 9 ml) of foam soap during each activation. A tamper resistant soap level-viewing window shall be provided. An Owner's Manual and Mounting Template shall be provided with unit in carton.

Surface Mounted Stainless Steel Automatic Foam Soap Dispenser shall be Model № 0365 of American Specialties, Inc., 441 Saw Mill River Road, Yonkers, New York 10701-4913

INSTALLATION

Surface mount unit to wall or partition with four (4) № 6 x 15/16" (M3.5 x 24) self-threading Philips pan head screws (supplied) into dry wall anchors (provided) through concealed mounting holes provided, or use self-adhesive pads (supplied) to mount unit to mirror. Recommended installation height for general utility is 42" to 46" (1067 to 1168) AFF to bottom of unit. Mount unit with bottom 7-7/8" (200) minimum above non-metallic washbasins or countertops and 11-13/16" (300) above stainless steel washbasins or countertops. Installation and Operation Instructions (№ 1305100818) and a mounting template are provided with unit in carton.

OPERATION

Foam soap is automatically dispensed when hands are placed in sensor zone. LED indicator flashes blue once to indicate detection of object in sensor zone. Unit is reloaded by unlocking lock with special key (supplied), swinging open dispenser body and removing and refilling reusable internal soap container. Soap dispenser will continue to feed properly until empty. LED will flash continuously to advise of low battery condition. Tank supply is replenished manually on a cycle determined by maintenance needs.