



AMERICAN SPECIALTIES, INC.

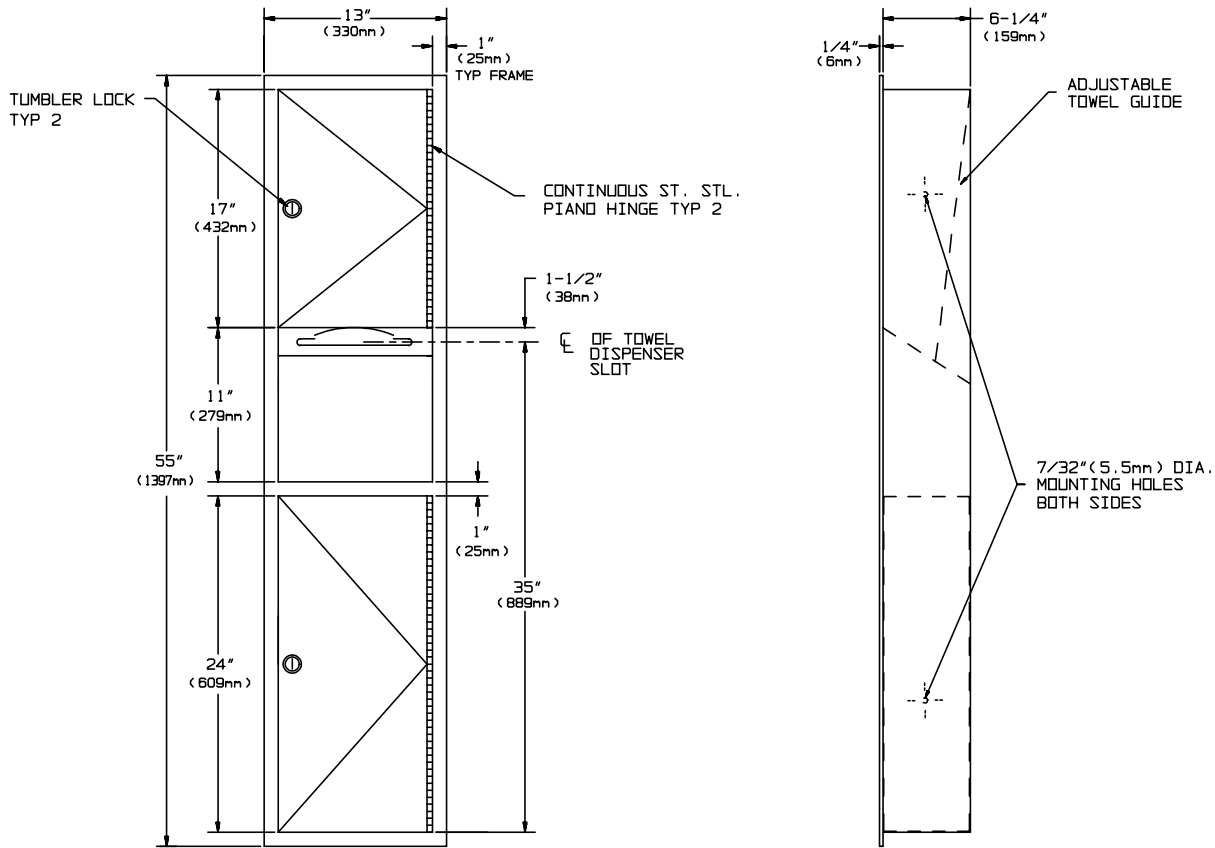
441 Saw Mill River Road, Yonkers, NY 10701 (914) 476-9000

MODEL No: 0467

ISSUED: 1-87

REVISED: 9-04

RECESSED PAPER TOWEL DISPENSER AND WASTE RECEPTACLE



SPECIFICATION

Recessed Paper Towel Dispenser and Waste Receptacle shall hold and dispense 600 C-fold, 800 multi-fold or 1100 single-fold paper towels and shall have a waste capacity of 7 gal (26 liters). Unit shall be fabricated of alloy 18-8 stainless steel, type 304, 22 gauge with N^o 4 satin finish and be protected during shipment with a PVC film easily removable after installation. Adjustable guide shall be provided to allow dispensing of multi-fold or C-fold paper towels. Face trim shall be one piece construction with no miters or welding and shall be 1" (25.4mm) wide and have 1/4" (6.35mm) square return to wall. Cabinet shall have no exposed fastening devices or spot welded seams. Doors shall be double pan construction with No-Flex core and shall be mounted to cabinet body on 3/16" (4.8mm) dia. heavy duty stainless steel multi-staked piano hinges. Dispenser and disposal doors unit shall have tumbler locks keyed alike to other ASI washroom equipment.

Recessed Paper Towel Dispenser and Waste Receptacle shall be Model N^o 0467 as manufactured by American Specialties, Inc., 441 Saw Mill River Road, Yonkers, New York 10701-4913.

INSTALLATION

Unit is mounted in wall recess with N^o 10 self-tapping screws (by others) through concealed mounting holes. For compliance with "ADA" unit should be mounted with towel slot 54" (1372mm) max. above finish floor (AFF) for side reach or 48" (1219mm) max. AFF for frontal approach. Note that top of rough wall opening is 3/4" (19mm) below top of unit.

Rough Wall Opening(RWO) required is11-1/2" W x 53-1/2" H x 6-1/4" D. (292mm x 1359mm x 159mm)

OPERATION

Paper towels are manually withdrawn through dispensing slot. Dispenser is refilled by unlocking door and replacing towels for an empty or partially empty unit. Dispenser supply is replenished on cycle determined by maintenance needs.

Accessory Specialties

AMERICAN DISPENSER

Desert Ray Products

WATROUS INC.