



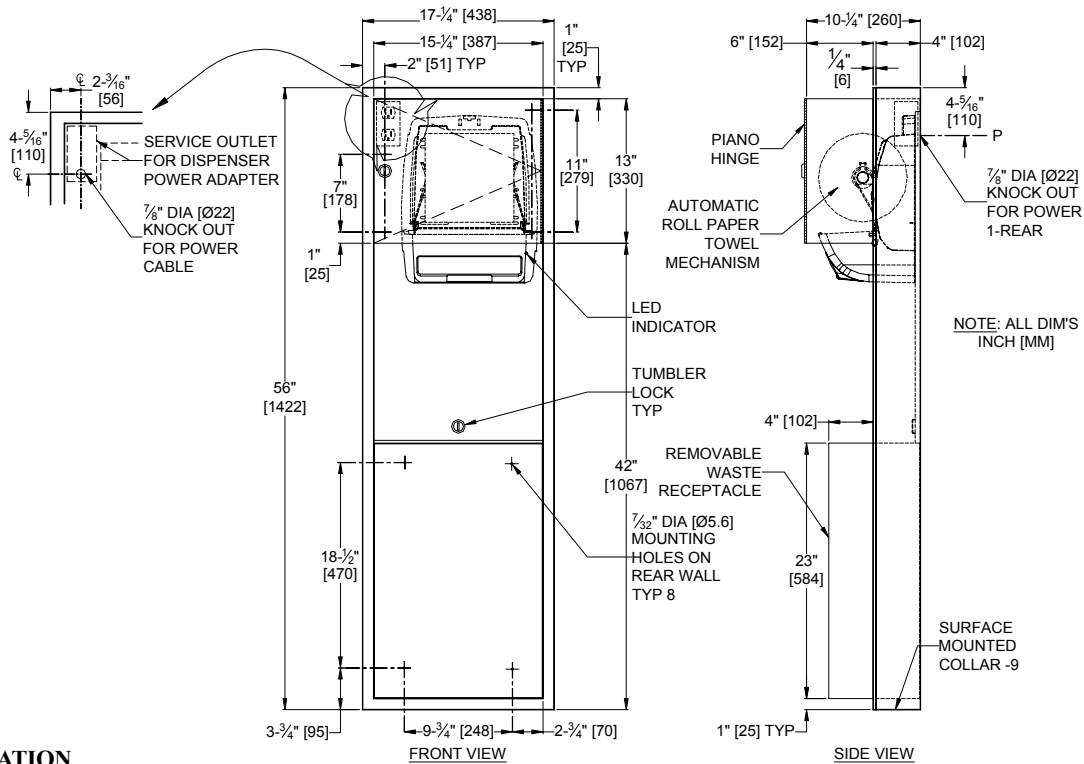
AMERICAN SPECIALTIES, INC.
 441 Saw Mill River Road, NY 10701
 (914) 476.9000 • (914) 476.0688
 www.americanspecialties.com

MODEL №: 046924AC-9

ISSUED: 01/08

REVISED: 05/10

SURFACE MOUNTED AUTOMATIC ROLL PAPER TOWEL DISPENSER AND WASTE RECEPTACLE



SPECIFICATION

Surface Mounted Automatic Roll Paper Towel Dispenser and Waste Receptacle shall hold and dispense one 8" diameter (Ø203) x 8" (203) wide standard towel roll up to 800 ft. (244m) long and one 8" (203) wide stub roll up to 4" diameter (Ø102) and shall have a waste capacity of 12 gallons (45.4 liters). Automatic Touchless Roll Towel Dispenser shall be powered by C-UL-US and CE approved internal low-voltage adapter (supplied) using 110-240VAC, 50/60 Hz and providing output of 5VDC @ 1A and shall operate automatically to activate towel dispensing when hands are placed in sensor zone. At each activation unit shall feed out a length of towel selected by owner by setting length, delay and paper saver switches. Unit shall have an internal towel cut-off bar. Towel dispensing opening shall have a fully deburred edge for snag free dispensing and user safety. Cabinet, waste container, collar and frame shall be fabricated of 22 gauge type 304 stainless steel alloy 18-8 and towel dispenser door shall be 18 gauge same grade. All exposed surfaces shall have a satin finish protected by PVC film easily removed after installation. Door shall be attached to cabinet at side with a full-length 3/16" diameter (Ø4.8) stainless steel multi-staked piano hinge and shall have a full return and hemmed bottom edge for user safety. Door shall be held closed and waste container shall be retained with tumbler locks keyed alike to other ASI washroom equipment. Waste container shall have hemmed edges for safety and internal hooks for optional reusable vinyl liner bag. Face trim shall be 1" (25.4) wide formed from one piece with no miters, welding or open seams and have 1/4" (6.4) square returns to collar. Surface mounting collar shall be provided to dress unit to wall face. Structural assembly of all components shall be of welded construction. Cabinet shall have no exposed fastening devices or spot-welded seams.

Surface Mounted Automatic Roll Paper Towel Dispenser and Waste Receptacle shall be Model № 046924AC-9 as manufactured by American Specialties, Inc., 441 Saw Mill River Road, Yonkers, New York 10701-4913

INSTALLATION

Install unit in wall recess using № 10 self-tapping screws (by others) through concealed mounting holes provided. For compliance with ADA Accessibility Guidelines, install unit so that bottom edge of towel dispenser door is 48" (1219) maximum above finished floor (MAX AFF). Power is supplied by code approved cable or conduit (by others) to back of unit at location indicated on diagram and terminated in utility duplex outlet box (provided) inside cabinet. Power required is 115VAC protected by a 15A circuit breaker (by others) for low voltage adapter that draws ¼ Amp. Power adapter for dispenser unit is supplied cabled and plugged into dispenser and is plugged into duplex outlet (by others).

OPERATION

Towels are dispensed one at a time automatically when hands are placed in sensor zone until supply is depleted. Unit may be reloaded with a full roll to automatically start when finished with an existing partial roll and will continue to feed properly when reloaded with a full roll and partial roll is transferred to stub roll position. Refill dispenser by unlocking door and replacing towel roll for an empty or partially empty unit. Dispenser supply is replenished and waste container is emptied manually on cycles determined by maintenance needs. Locking compartment and receptacle retainer prevents unauthorized access and removal. Waste container has internal hooks for a reusable vinyl liner bag (not supplied) or may be used with disposable PVC trash liner bags (by others). LED indicates sensing and operation. Instructional label is provided inside cabinet for service replacement of roll towels and setting of length, dispense delay and economy switches.

Accessory Specialties

AMERICAN DISPENSER

Desert Ray Products

WATROLS, INC.

THIS MANUFACTURER RESERVES THE RIGHT TO MAKE CHANGES IN DESIGN OR DIMENSIONS WITHOUT FORMAL NOTICE