



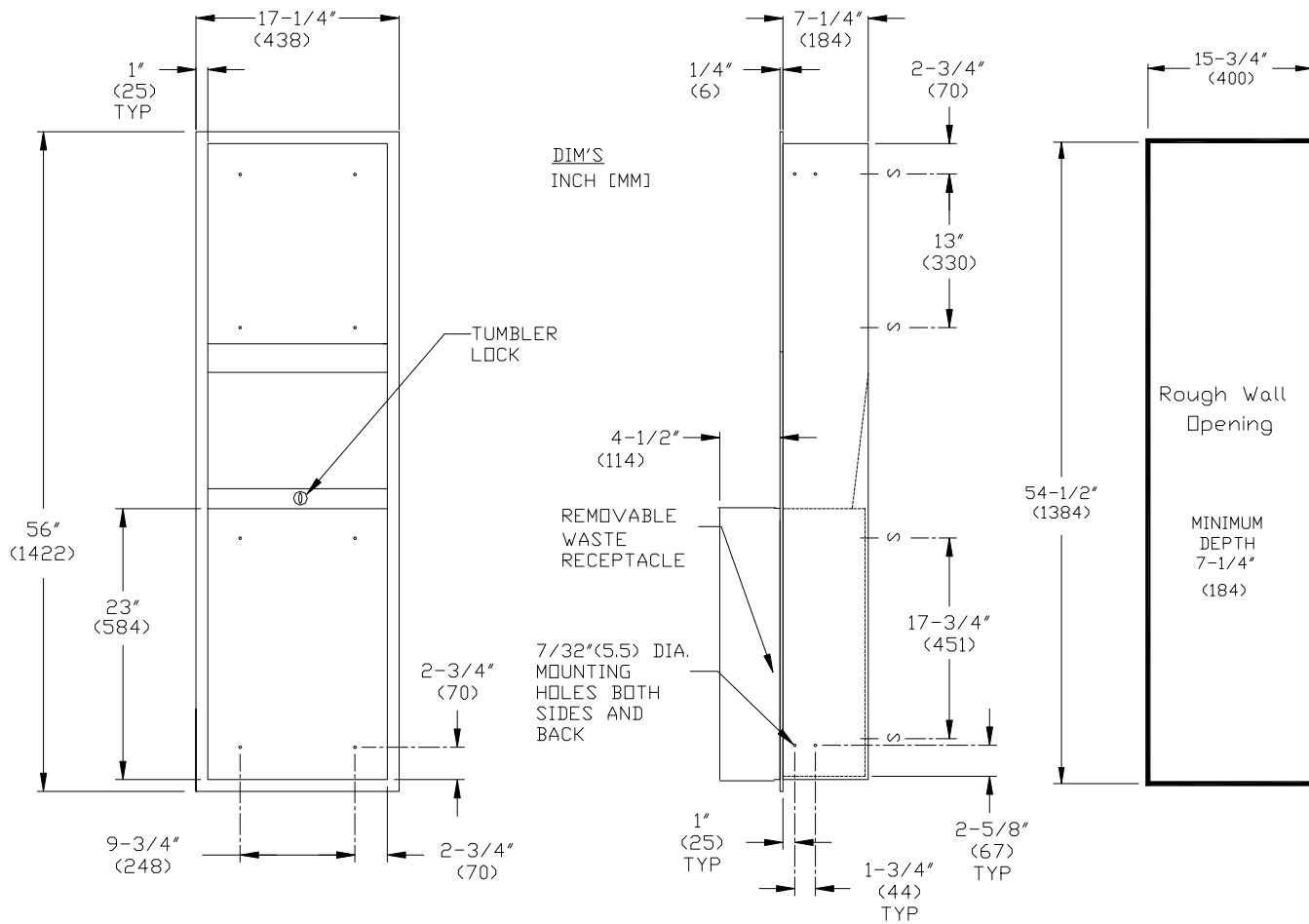
AMERICAN SPECIALTIES, INC.
 441 Saw Mill River Road, NY 10701
 (914) 476.9000 • (914) 476.0688
 www.americanspecialties.com

MODEL №: 04697-BL-M

ISSUED: 1-87

REVISED: 07 Oct 2013

RECESSED CABINET WITH WASTE RECEPTACLE



SPECIFICATION

Recessed Cabinet with Waste Receptacle shall have a waste capacity of 18gal (68litres). Frame, waste container and cabinet shall be 22 gauge type 304 alloy 18-8 stainless steel. All exposed surfaces shall have satin finish. Waste container shall have hemmed edges for safety and shall be retained by a tumbler lock keyed alike to other ASI washroom equipment. Face trim shall be 1" (25) wide formed from one piece with no mitres, welding or open seams and have 1/4" (6) square return to wall. Structural assembly of all components shall be of welded construction.

Recess Mounted Cabinet with Waste Receptacle shall be Model N^o04697-BL-M as manufactured by American Specialties, Inc., 441 Saw Mill River Road, Yonkers, New York 10701-4913

INSTALLATION

Mount unit in wall recess using four (4) N^o 10 self tapping screws (by others) through concealed mounting holes provided. For compliance with 2010 ADA Accessibility Standards unit should be installed so that owner supplied towel dispenser slot may be installed 48" (1219) maximum AFF. Note that top of RWO is 3/4" (19) below top of unit.

Rough Wall Opening (RWO) required is 15-3/4"W x 54-1/2"H x 7-1/4"D minimum (400 x 1384 x 184)

OPERATION

Owner provides and installs chosen PTD dispenser following supplier instructions. Waste container is emptied manually on cycle determined by maintenance needs. Locked receptacle prevents unauthorized removal.