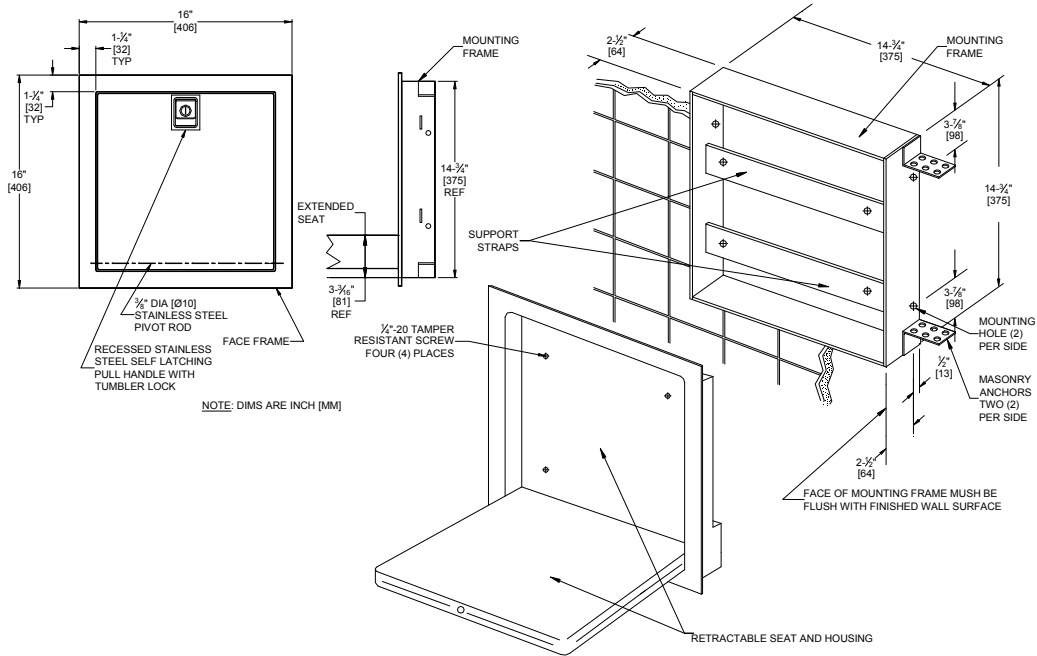




**AMERICAN SPECIALTIES, INC.**  
 441 Saw Mill River Road, NY 10701  
 (914) 476.9000 • (914) 476.0688  
 www.americanspecialties.com

<b>MODEL №:</b>	<b>170-ML</b>
<b>ISSUED:</b>	<b>10 May 2012</b>
<b>REVISED:</b>	<b>11 Feb 2013</b>

## RETRACTABLE SHOWER SEAT



### SPECIFICATION

Retractable Shower Seat, housing and face frame shall be fabricated of type 304 stainless steel alloy 18-8. Seat and housing shall be 12 gauge. Seat shall be double pan construction with welded perimeter seam and edges shall be reinforced internally. Seat shall be held closed with a flush, stainless steel, self-latching pull-handle with keyed thumb turn lock with two (2) keys provided and shall pivot on 3/8" diameter (Ø9.5) solid stainless steel rod. Face frame shall be 18 gauge and 1-1/4" (32) wide, formed from one piece with no miters, welding or open seams and have a 3/8" (9.5) square return to wall. All seat and face frame exposed surfaces shall have satin finish protected by PVC film easily removed after installation. Mounting frame shall be fabricated of 3/16" (4.8) thick painted steel with 1/4" (6.4) thick support straps welded on and shall have tapped holes to accept seat housing mounting screws (provided). Mounting frame shall have four (4) 13/32" diameter (Ø10.3) mounting holes, two (2) per side, and four (4) masonry anchors, two (2) per side, for building into concrete or block wall. Retractable Shower Seat shall be capable of sustaining a weight of 500 pounds when anchored to suitable wall reinforcements.

**Retractable Shower Seat shall be Model № 170-ML as manufactured by American Specialties, Inc., 441 Saw Mill River Road, Yonkers, New York 10701-4913**

### INSTALLATION

Install outside edge of mounting frame flush with finished wall surface. Use suitable fasteners (by others) through holes provided in side members and/or masonry anchors to attach frame to wall structure using appropriate shims (by others) to center unit in RWO. Ensure that installation meets all applicable codes. Install and secure retractable seat into mounting frame with four (4) tamper resistant 1/4"-20 pin-Torx® stainless steel machine screws (supplied) through holes provided. Seal seams, joints and screw holes with sealant, caulk or grout as appropriate (by others). For compliance with 2010 ADA Accessibility Standards, install unit so that seating surface is 17" (432) min. AFF to 19" (483) max. AFF.

### CAUTION

**Shower seat is no stronger than anchors or wall to which it is attached. Shower seat must be firmly and securely attached to sustain loads which it is intended to support.**

**Rough Wall Opening (RWO) required is 15" W x 15" H x 2-3/4" D (381 x 381 x 70)**

### OPERATION

Use the recessed flush pull handle to disengage the seat and lower it to the horizontal sitting position. When not in use, return the seat to the vertical storage position, allowing latch to engage. Latch may be locked with tumbler lock with keys provided.