



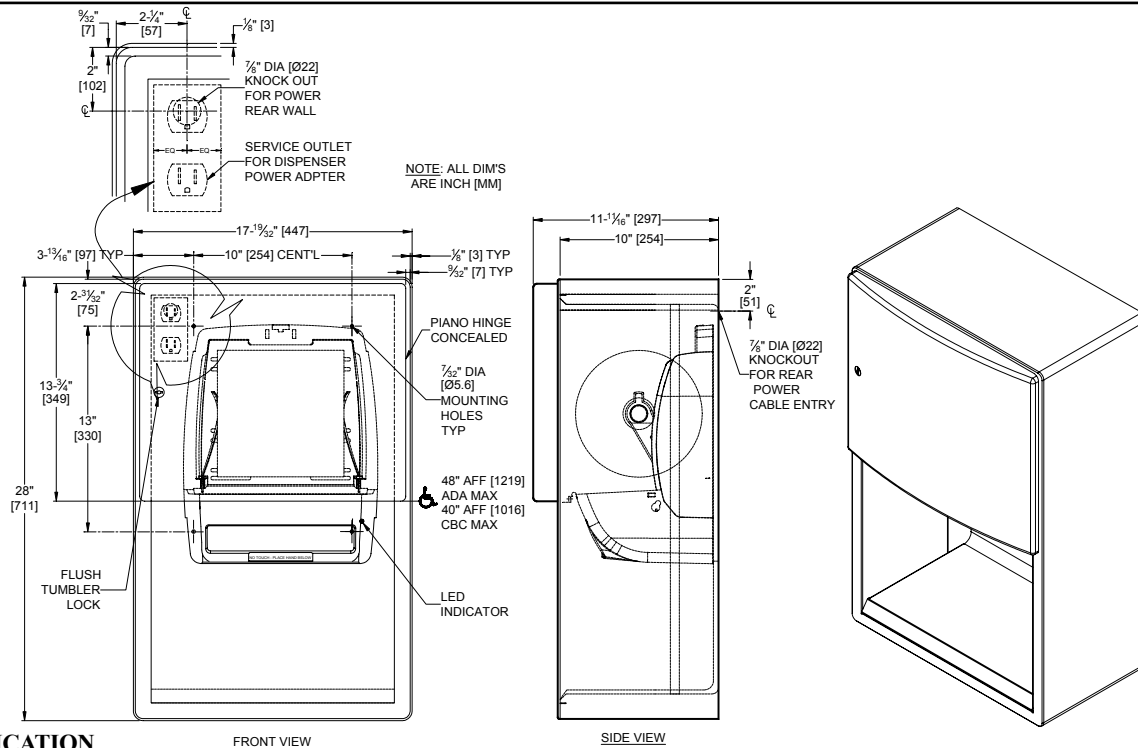
**AMERICAN SPECIALTIES, INC.**  
 441 Saw Mill River Road, NY 10701  
 (914) 476.9000 • (914) 476.0688  
 www.americanspecialties.com

MODEL №: 204523AC-9

ISSUED: 01/10

REVISED:

**ROVAL™ SURFACE MOUNTED AUTOMATIC ROLL PAPER TOWEL DISPENSER**



**SPECIFICATION**

Roval™ Collection Surface Mounted Automatic Roll Paper Towel Dispenser shall hold and dispense one 8" diameter (Ø203) x 8" (203) wide standard towel roll up to 800 ft. (244m) long and one 8" wide (203) stub roll up to 4" diameter (Ø102). Cabinet full door shall be drawn seamless and shall have bowed front face and gently radiused edges to provide added strength and complimentary appearance for modern washroom aesthetics. Automatic Touchless Roll Towel Dispenser shall be powered by C-UL-US and CE approved internal low-voltage adapter (supplied) using 110-240VAC, 50/60 Hz and providing output of 5VDC @ 1A and shall operate automatically to activate towel dispensing when hands are placed in sensor zone. At each activation unit shall feed out a length of towel selected by owner by setting length, delay and paper saver switches. Unit shall have an internal towel cut-off bar. Cabinet, frame and collar shall be 22 gauge type 304 stainless steel alloy 18-8. Towel dispenser door shall be 18 gauge same grade and shall have a full return and formed sill at bottom edge for user safety. All exposed surfaces shall have satin finish protected by PVC film easily removed after installation. Door shall be attached to cabinet at side with a full-length 1/8" dia. (Ø3.1) stainless steel multi-staked piano hinge and shall be held closed with a flush rimless tumbler lock keyed alike to other ASI washroom equipment. Internally concealed doorstop shall prevent over-swing when opened rapidly. Face trim shall be 1" (25) wide formed from one piece with no miters, welding or open seams and have 1/8" (3) radiused return to collar. Structural assembly of all components shall be of welded construction. Cabinet shall have no exposed fastening devices or spot-welded seams.

**Roval™ Collection Surface Mounted Automatic Roll Paper Towel Dispenser shall be Model № 204523AC-9 of American Specialties, Inc., 441 Saw Mill River Road, Yonkers, New York 10701-4913**

**INSTALLATION**

Provide adequate in-wall reinforcement (by others) in drywall construction to hold mounted unit in-service after wall is finished. Provide appropriate anchors (by others) to suit wall and field conditions for installation onto walls other than new drywall. Mount unit on wall using 1/4" self-tapping screws (by others) through concealed mounting holes provided. Power is supplied by code approved cable or conduit (by others) to location indicated on diagram and terminated in utility duplex outlet box (provided) inside cabinet. Power required is 110-240VAC, 50/60 Hz protected by a 15A circuit breaker (by others) for low voltage adapter that draws 1/4 Amp. Power adapter for dispenser unit is supplied cabled and plugged into dispenser and is plugged into duplex outlet (by others). For compliance with ICC/ANSI A-117.1-2003 and ADA Accessibility Guidelines install unit so that top edge of towel dispenser opening is 48" (1219) maximum above finished floor (MAX AFF) only if clear floor reach access is provided. Be advised that local codes may require mounting so that top of towel dispenser opening is 40" (1016) MAX AFF (e.g. California UBC/Title 24). For general utility install unit with top of towel dispenser opening between 49" and 56" (1245 to 1422) AFF.

**OPERATION**

Towels are dispensed one length at a time automatically when hands are placed in sensor zone until supply is depleted. Owner predetermines length of towel dispensed by making selections on three (3) three-position switches for length, delay, and economy. Unit may be reloaded with a full roll to automatically start when finished with an existing partial roll and will continue to feed properly when reloaded with a full roll and partial roll is transferred to stub roll position. Refill dispenser by unlocking door and replacing towel roll for an empty or partially empty unit. Dispenser supply is replenished manually on a cycle determined by maintenance needs. LED indicates sensing and operation. Locking door prevents unauthorized access and roll removal.

Accessory Specialties

AMERICAN DISPENSER

Desert Ray Products

WATROUS, INC.