



AMERICAN SPECIALTIES, INC.

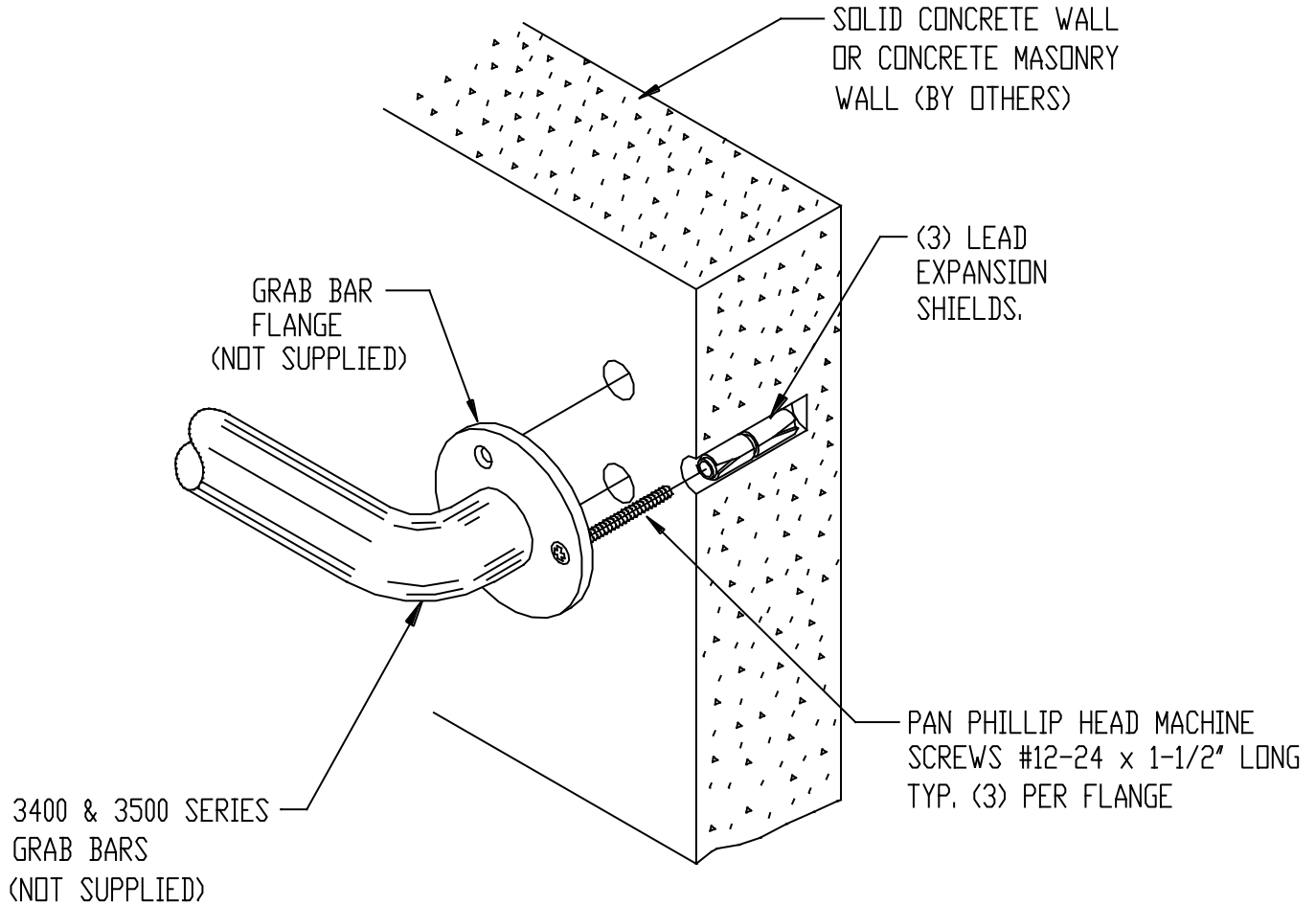
441 Saw Mill River Road, Yonkers, NY 10701 (914) 476-9000

MODEL No: 3920

ISSUED: 1-87

REVISED: 5-99

WALL ANCHOR



SPECIFICATION

Wall Anchor shall be suitable for surface mounting to finished solid concrete wall of all grab bars with exposed-type mounting flanges (e.g. ASI series 3300, 3400 and 3500 grab bars). Wall anchor shall be № 12-24 x 1-1/2" long machine screws with matching lead expansion-shields. Anchor kit shall contain (3) machine screws with matching lead expansion shields. Specify one (1) kit **per flange**.

Wall Anchor shall be Model № 3920 of American Specialties, Inc., 441 Saw Mill River Road, Yonkers New York 10701-4913

INSTALLATION

For compliance with ADA Accessibility Guidelines mount grab bar so that horizontal centerline is 33" (838mm) minimum to 36" (914mm) maximum above finished floor. Locate grab bar in exact mounting position on wall and mark mounting holes though flanges onto wall. Drill holes to accept expansion shield 1-1/2" deep. Install expansion shields. Insert bolt though flange of grab bar and screw bolt into expansion-shield until flange is tight against wall.

Accessory Specialties

AMERICAN DISPENSER

Desert Ray Products

WATROUS INC.