



AMERICAN SPECIALTIES, INC.

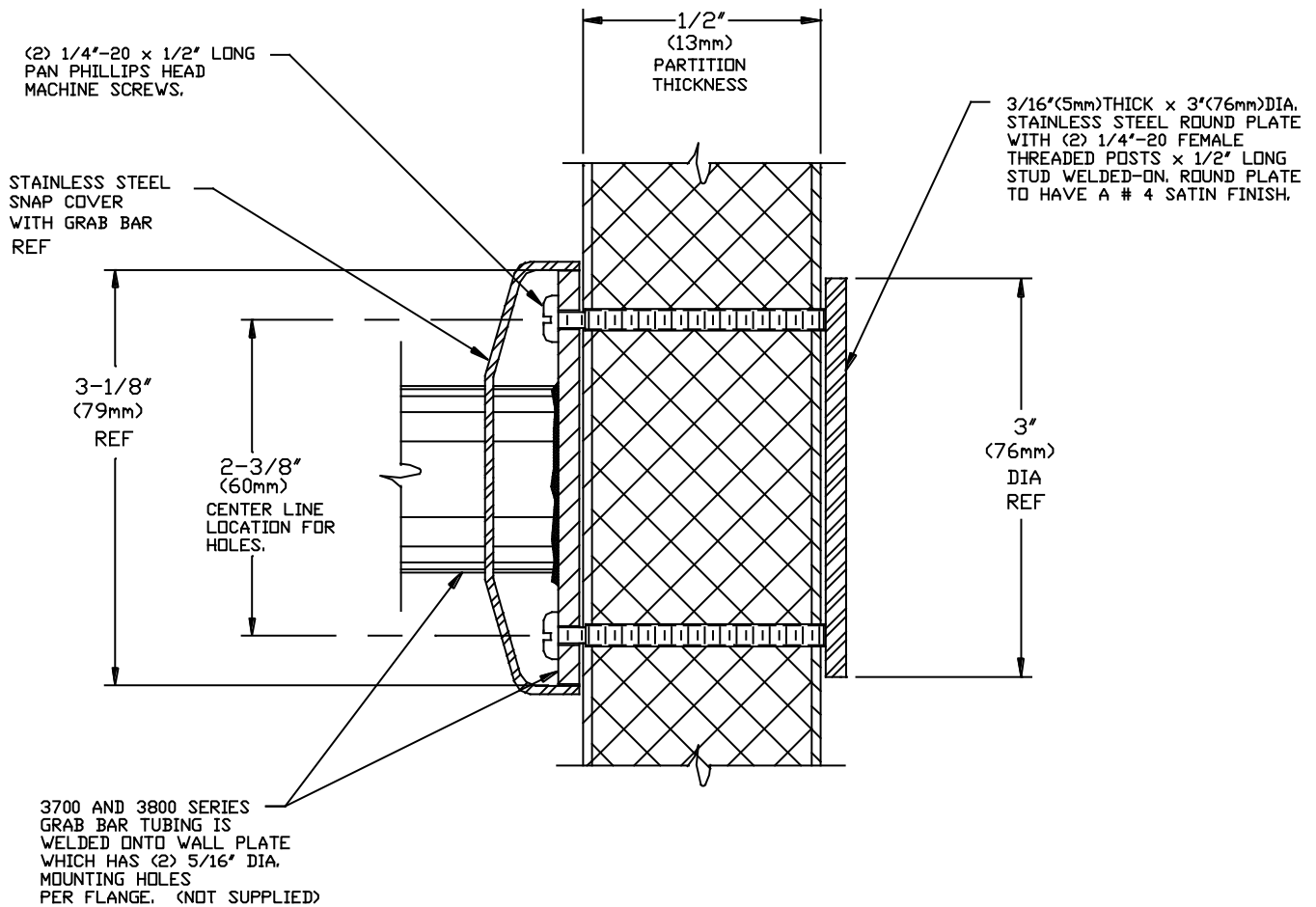
441 Saw Mill River Road, Yonkers, NY 10701 (914) 476-9000

MODEL No: 3932

ISSUED: 1-87

REVISED: 5-99

ANCHOR FOR 1/2" (13MM) THICK PARTITION MOUNTED BARS WITH SNAP-ON FLANGE COVERS



SPECIFICATION

Anchor for 1/2" (13mm) Thick Partition Mounted Grab Bars with Snap-On Flange Covers shall be fabricated of alloy 18-8 stainless steel, type 304, 3" (76mm) dia. plate 1/8" (3mm) thick with two (2) 1/4-20 posts welded-on. Exposed side of plate shall have a # 4 satin finish. Anchor kit shall contain (1) Plate and (2) 1/4-20 x 1/2" long Phillips pan head machine screws. Specify one (1) kit **per flange**.

Anchor shall be Model №3932 of American Specialties, Inc., 441 Saw Mill River Road, Yonkers, New York 10701- 4913

INSTALLATION

Place grab bar on partition at desired location and mark mounting hole locations. Drill 3/8" (10mm) dia. holes through the partition at marked locations. Place anchor at far side of partition and mount grab bar to it on near side with 1/4-20 machine screws (provided) to complete installation. Refer to grab bar specification for correct procedure and strength data. For compliance with ADA Accessibility Guidelines mount unit so that centerline of horizontal grab bar is 33" (838mm) minimum above finished floor (AFF) to 36" (914mm) max. AFF.

Accessory Specialties

AMERICAN DISPENSER

Desert Ray Products

WATROUS INC.