



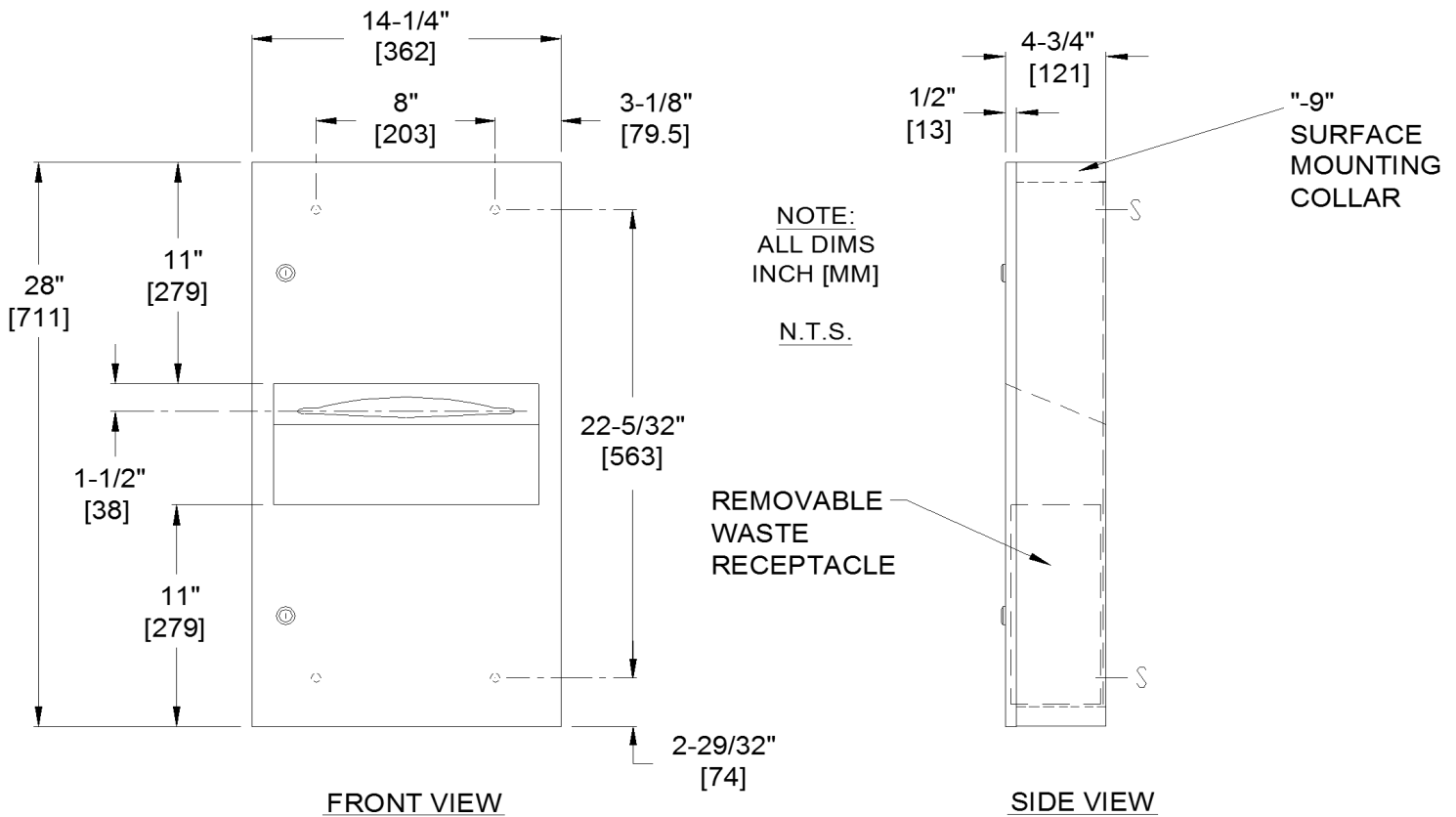
AMERICAN SPECIALTIES, INC.
 441 Saw Mill River Road, Yonkers, NY 10701
 (914) 476.9000 • (914) 476.0688
 www.americanspecialties.com

MODEL №: 64623-9

ISSUED: 1-87

REVISED: 12 Sep 2016

SURFACE MOUNTED PAPER TOWEL DISPENSER AND WASTE RECEPTACLE



SPECIFICATION

Surface Mounted Paper Towel Dispenser and Waste Receptacle unit shall hold and dispense 475 standard multi-fold or 350 standard C-fold paper towels and shall have a waste capacity of 2.2 gal. (8.4 liters). Cabinet, door, dispenser, and waste receptacle shall be fabricated of alloy 18-8 stainless steel, type 304. Cabinet shall be 20 gauge with a 1" [25] wide perimeter trim to lay flush against wall and shall have no exposed fastening devices. All exposed surfaces shall have a N^o4 satin finish and shall be protected by a PVC film easily removable after installation. Door shall be 18 gauge and shall be attached to the cabinet body with a full length 3/16" dia. [Ø5] stainless steel multi-staked piano hinge, and shall be held closed with a tumbler lock keyed alike to other ASI washroom equipment. Towel dispensing slot shall have a fully deburred edge for snag free dispensing and user safety. Waste receptacle shall have a rolled edge finger hole for easy servicing and removal.

Surface Mounted Paper Towel Dispenser and Waste Receptacle unit shall be Model № 64623-9 as manufactured by American Specialties, Inc., 441 Saw Mill River Road, Yonkers, New York 10701-4913

INSTALLATION

Unit is mounted on wall with N^o10 self-tapping screws (by others) through concealed mounting holes provided. For general utility, unit should be installed with its bottom edge 40-3/4" [1035] AFF.

OPERATION

Towels are self-feeding until supply is depleted. Unit will continue to feed properly when reloaded with a partial load in place. Waste receptacle is emptied manually on a cycle determined by maintenance needs. Locked door prevents unauthorized access or removal.