



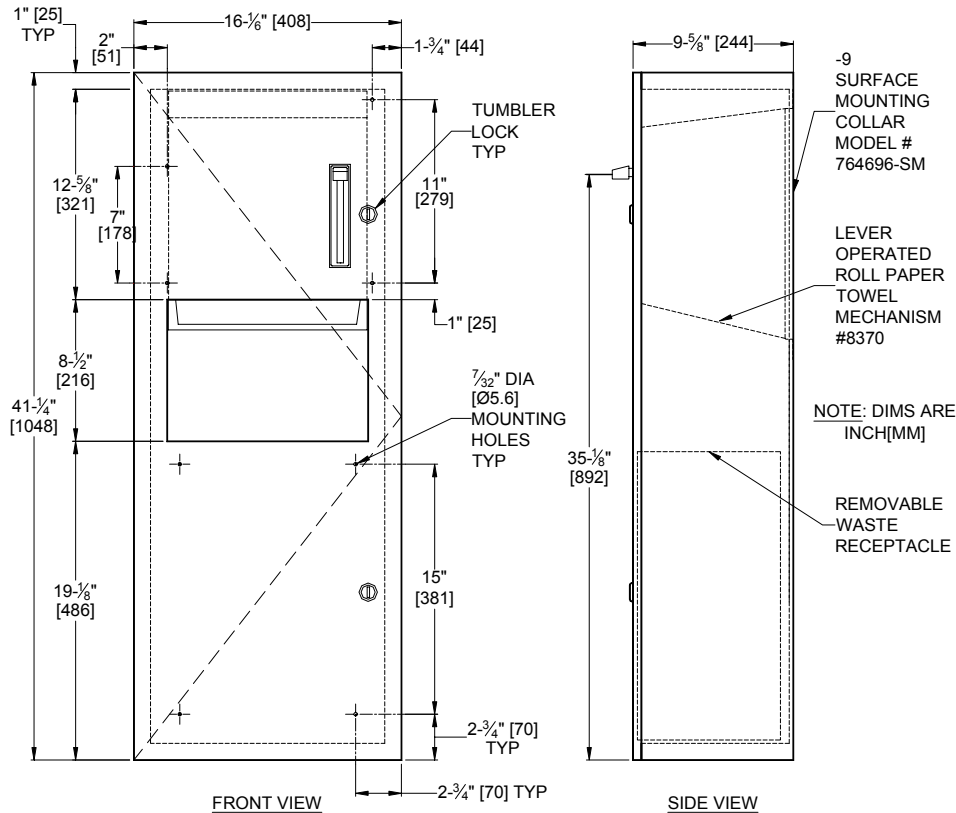
**AMERICAN SPECIALTIES, INC.**  
 441 Saw Mill River Road, NY 10701  
 (914) 476.9000 • (914) 476.0688  
 www.americanspecialties.com

MODEL №: 64696-9

ISSUED: 01/87

REVISED: 02/10

**SURFACE MOUNTED ROLL PAPER TOWEL DISPENSER AND WASTE RECEPTACLE**



**SPECIFICATION**

Surface Mounted Roll Paper Towel Dispenser and Waste Receptacle shall hold and dispense one 8" or 9" wide standard towel roll up to 800 ft. (244m) long and one stub roll up to 4" (Ø102) and shall have a waste capacity of 9.4 gallons (36 liters). A lever operated dispensing mechanism shall be supplied. Towel dispensing opening shall have a fully deburred edge for snag free dispensing and user safety. Full-face door, cabinet, dispenser and waste receptacle shall be fabricated of type 304 stainless steel alloy 18-8. All exposed surfaces shall have a satin finish and shall be protected during shipment with PVC film easily removable after installation. Door shall be fabricated of 18 gauge, fabricated from one piece, with no miters, welding or open seams on face and have 1/2" (13) square returns to the collar. Cabinet shall be 20 gauge with a 1" (25.4) wide perimeter trim to lay flush against collar. Unit back plate for mechanism shall be fabricated of same grade 18 gauge. Door shall be attached to the cabinet body with a full length 3/16" diameter (Ø4.8) stainless steel multi-staked piano hinge and shall be held closed with two (2) tumbler locks keyed alike to other ASI washroom equipment. Waste container shall have hemmed edges for safety and a finger grip for easy removal. Structural assembly of all components shall be of welded construction. Unit shall be supplied with SM collar to convert to surface mounting.

**Surface Mounted Roll Paper Towel Dispenser and Waste Receptacle shall be Model № 64696-9 as manufactured by American Specialties, Inc., 441 Saw Mill River Road, Yonkers, New York, 10701-4913**

**INSTALLATION**

Mount unit on wall with № 10 self-tapping screws (by others) through concealed mounting holes provided. For compliance with ADA Accessibility Guidelines, install unit so that towel dispenser feed lever is 48" (1219) maximum above finished floor (MAX AFF). SM collar is installed on cabinet prior to mounting on wall following procedure described on SM Collar Data Sheet.

**OPERATION**

Towels are fed by lever action. Towel feed length is adjustable for economy by pin (supplied) limiting of lever stroke length. Unit may be reloaded with a full roll to automatically start when finished with an existing partial roll and will continue to feed properly when reloaded with a full roll and partial roll is transferred to stub roll position. Refill dispenser by unlocking door and replacing towel roll for an empty or partially empty unit. Dispenser supply is replenished and waste container is emptied manually on cycles determined by maintenance needs. Locking full-face door over compartments prevents unauthorized access or removal.