



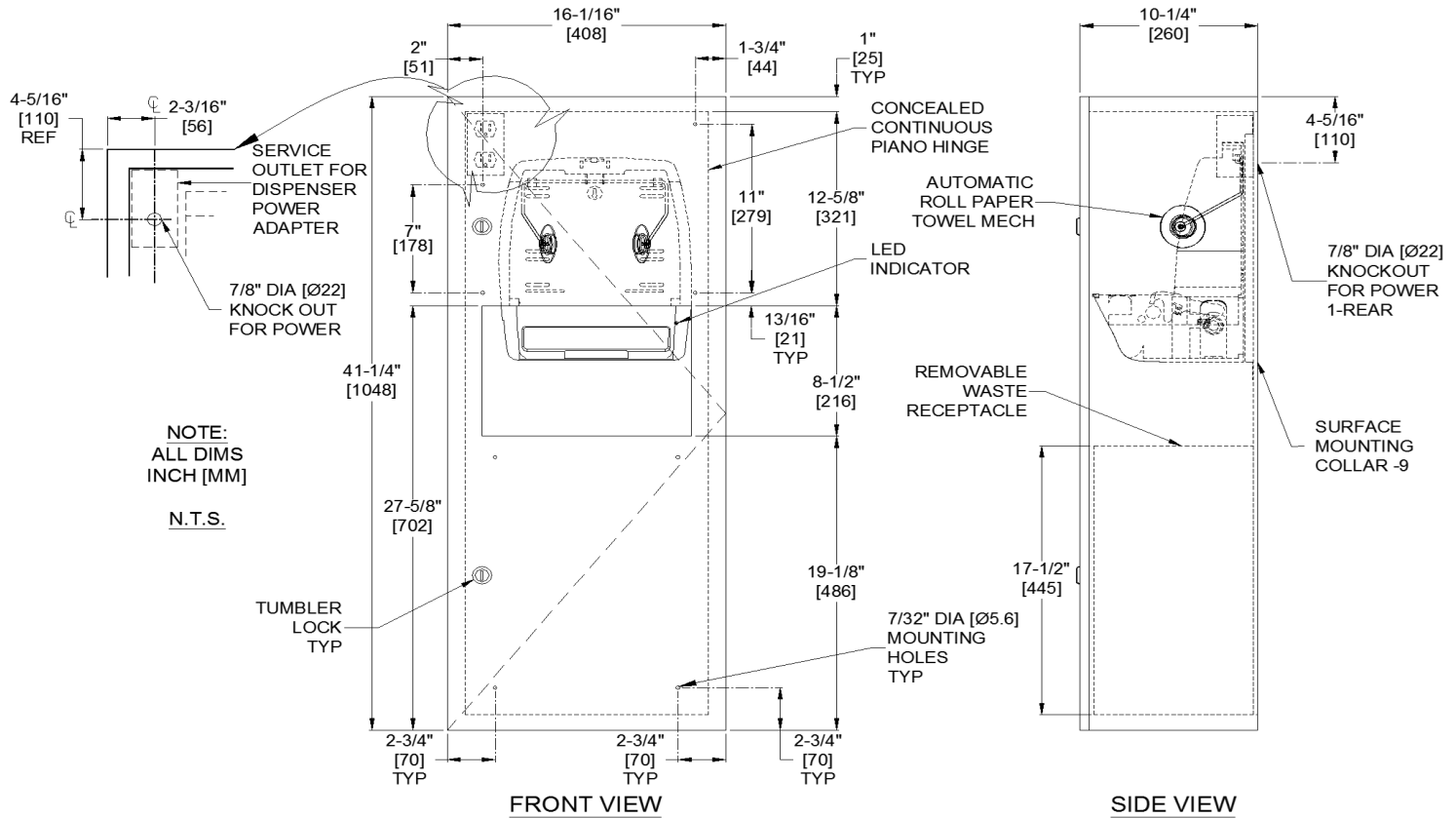
AMERICAN SPECIALTIES, INC.
 441 Saw Mill River Road, Yonkers, NY 10701
 (914) 476.9000 • (914) 476.0688
 www.americanspecialties.com

MODEL №: 64696AC-9

ISSUED: 01/08

REVISED: 5 AUG 2016

SURFACE MOUNTED AUTOMATIC ROLL PAPER TOWEL DISPENSER & WASTE RECEPTACLE (PG 1 OF 2)



SPECIFICATION

Surface Mounted Automatic Roll Paper Towel Dispenser and Waste Receptacle shall hold and dispense one 8" diameter [Ø203] x 8" wide [203] standard towel roll up to 800 ft. (244m) long and one 8" wide [203] stub roll up to 4" diameter [Ø102] and shall automatically change over to main roll when finished with stub roll when feed tabs are properly engaged. Waste receptacle shall have a capacity of 9.9 gallons (37.3 L). Automatic Touchless Roll Towel Dispenser shall be powered by C-UL-US and CE approved internal low-voltage adapter (supplied) using 110-240VAC, 50/60 Hz and providing output of 5VDC @ 1A and shall operate automatically to activate towel dispensing when hands are placed in sensor zone. At each activation unit shall feed out a length of towel selected by owner by setting length, delay and paper saver switches. Unit shall have an internal towel cut-off bar. Towel dispensing opening shall have a fully deburred edge for snag free dispensing and user safety. Full-face door, cabinet, dispenser, waste receptacle and collar shall be type 304 stainless steel alloy 18-8. All exposed surfaces shall have satin finish and shall be protected during shipment with PVC film easily removable after installation. Door shall be one-piece 18 gauge with no miters, welding or open seams on face and have 1/2" [13] square returns to the collar. Cabinet shall be 20 gauge with a 1" [25] wide perimeter trim to lay flush against collar.] Unit back plate for mechanism shall be 18 gauge. Door shall be attached to the cabinet body with a full length 3/16" diameter [Ø4.8] stainless steel multi-staked piano hinge and shall be held closed with two (2) tumbler locks keyed alike to other ASI washroom equipment. Waste container shall have hemmed edges for safety and a finger grip for easy removal. Structural assembly of all components shall be of welded construction. Unit shall be supplied with SM collar to convert to surface mounting.

Surface Mounted Automatic Roll Paper Towel Dispenser and Waste Receptacle shall be Model № 64696AC-9 as manufactured by American Specialties, Inc., 441 Saw Mill River Road, Yonkers, New York 10701-4913

Accessory Specialties

AMERICAN DISPENSER

Desert Ray Products

MITROUS INC.



AMERICAN SPECIALTIES, INC.
441 Saw Mill River Road, Yonkers, NY 10701
(914) 476.9000 • (914) 476.0688
www.americanspecialties.com

MODEL №: 64696AC-9

ISSUED: 01/08

REVISED: 5 AUG 2016

SURFACE MOUNTED AUTOMATIC ROLL PAPER TOWEL DISPENSER & WASTE RECEPTACLE (PG 2 OF 2)

INSTALLATION

Install unit on wall using № 10 self-tapping screws (by others) through concealed mounting holes provided. For compliance with 2010 ADA Accessibility Standards, install unit so that top edge of towel dispenser opening is 48" [1219] maximum above finished floor (MAX AFF). Power is supplied by code approved cable or conduit (by others) to back of unit at location indicated on diagram and terminated in utility simplex outlet box (provided) inside cabinet. Power required is 110-240VAC at 50/60 Hz protected by a 15A circuit breaker (by others) for low voltage adapter that draws ¼ Amp. Power adapter for dispenser unit is supplied cabled and plugged into dispenser and is plugged into simplex outlet (by others). SM collar is installed on cabinet prior to mounting on wall following procedure described on SM Collar Data Sheet. Sensor ground wire must be connected inside cabinet.

OPERATION

Towels are dispensed one length at a time automatically when hands are placed in sensor zone until supply is depleted. Owner predetermines length of towel dispensed by making selections on three (3) three-position switches for length, delay, and economy. Unit may be reloaded with a full roll to automatically start when finished with an existing partial roll and will continue to feed properly when reloaded with a full roll and partial roll is transferred to stub roll position. Refill dispenser by unlocking door and replacing towel roll for an empty or partially empty unit. Dispenser supply is replenished and waste receptacle is emptied manually on cycles determined by maintenance needs. Make sure no batteries are in battery compartment. LED will indicate sensing only. Locking full-face door over compartments prevents unauthorized access or removal.