



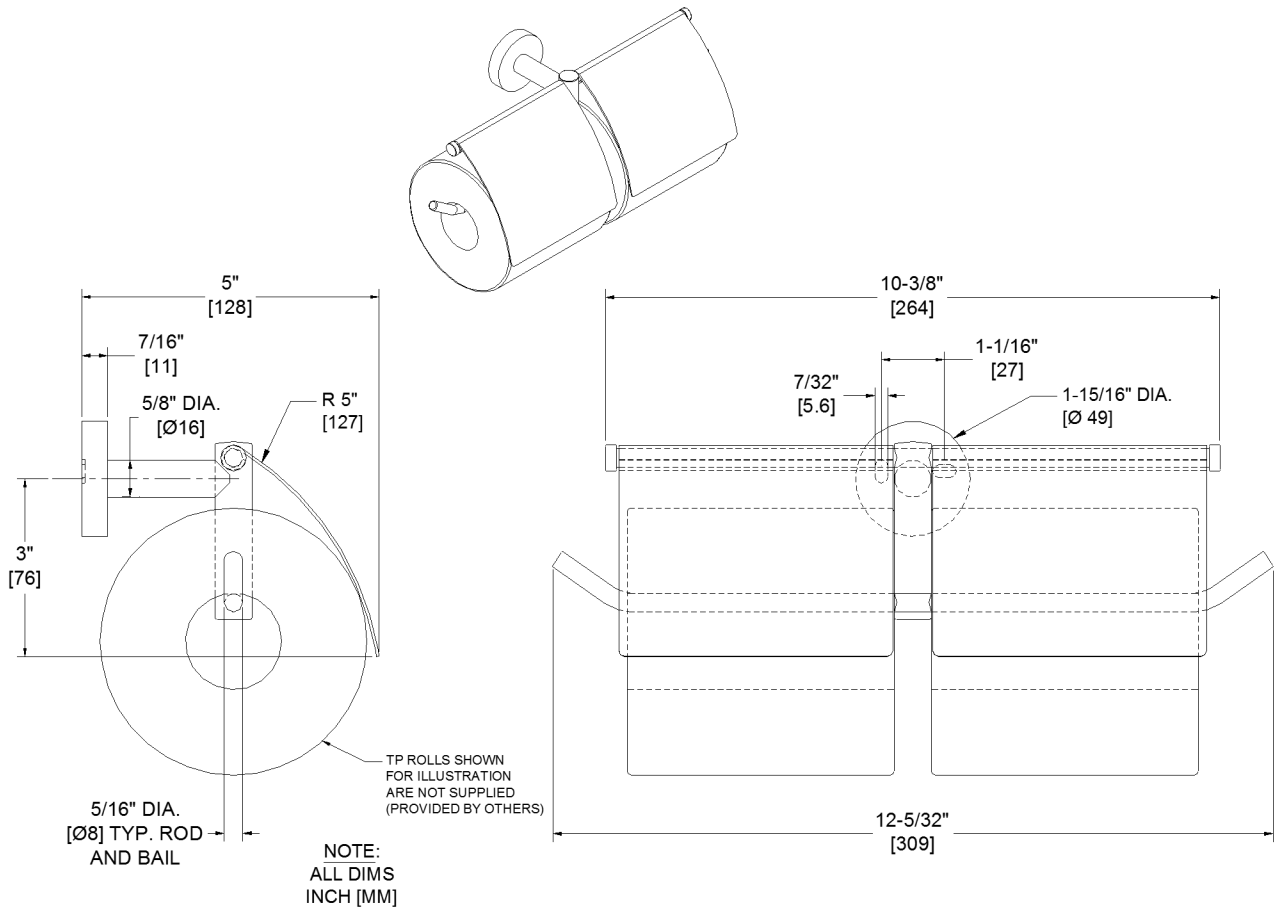
AMERICAN SPECIALTIES, INC.
 441 Saw Mill River Road, Yonkers, NY 10701
 (914) 476.9000 • (914) 476.0688
 www.americanspecialties.com

MODEL №: 7315-H

ISSUED: 02/2015

REVISED:

DOUBLE TOILET PAPER ROLL HOLDER WITH HOOD



SPECIFICATION

Omara Collection Double Toilet Paper Roll Holder with Hood shall be type 304 stainless steel alloy 18-8. All exposed surfaces shall have satin finish. Roll holder bail shall be retained in post with concealed set screw. Hoods shall be captive on rod. Post shall be 22 gauge tubing with formed 18 gauge threaded bracket welded inside end. Post shall be bolted to flange with concealed and locked M6 (Ø1/4") screw. Wall flange shall lock to wall bracket with stainless steel M5 hex socket set screw concealed on bottom perimeter of flange. Flange shall be 1/16" (1.5) thick with 3/32" (2.3) thick sides and heavy reinforcement ribs. Wall bracket shall be 18 gauge with embossed ribs for added strength and shall have two (2) mounting slots to accommodate M4 pan head screws (provided) and allow slight installation alignment adjustment. Hex L-key (M2.5) is provided to lock set screw to secure unit to wall bracket.

Double Toilet Paper Roll Holder with Hood shall be Model № 7315-H of American Specialties Inc., 441 Saw Mill River Road, Yonkers, New York 10701-4913

INSTALLATION

Surface mount unit to finished wall with two (2) M4 x 39 (№ 6 x 1-1/2") pan head self-tapping screws (provided) through holes provided in wall bracket into plastic wall anchors (provided) or other suitably prepared mountings (by others) or other suitable mounting hardware (by others) to suit wall conditions. Clip flange onto wall bracket and tighten setscrew to lock it in place. For compliance with 2010 ADA Accessibility Standards install unit so that top of paper holder is between 19" (483) minimum above finished floor (AFF) to 48" (1219) maximum AFF and centerline of nearest roll is between 7" (178) and 9" (229) from front of commode. Recommended general mounting height is 32" (813) AFF.

OPERATION

Two rolls of toilet paper are placed on the bail type holder for ready availability and feed is unrestricted. Hoods protect rolls from inadvertent contamination and swing independently to maintain protective contact throughout supply level usage cycle. Toilet paper is replenished on a cycle determined by maintenance needs.