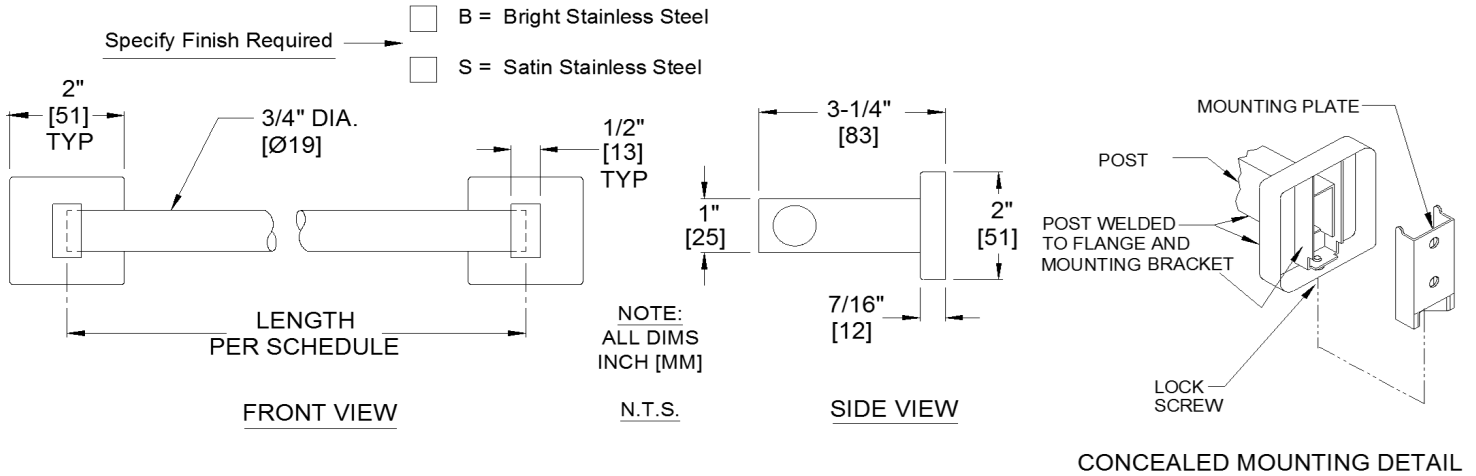




AMERICAN SPECIALTIES, INC.
 441 Saw Mill River Road, Yonkers, NY 10701
 (914) 476.9000 • (914) 476.0688
 www.americanspecialties.com

MODEL №:	7355
ISSUED:	1-87
REVISED:	4 NOV 2016

ROUND TOWEL BAR



SPECIFICATION

Round Towel Bar shall be fabricated of type 304 stainless steel alloy 18-8. Shelf posts shall be 1/2" x 1" [13 x 25] rectangular tubing with formed mounting flange and bracket welded on end. Bar shall be 26 gauge, 3/4" diameter [Ø19] and shall be held in receiver holes in support posts. Mounting plates shall be included and shall be 18 gauge. Stainless steel setscrews shall be provided on bottom perimeter of flanges to lock unit to mounting plates. Length shall be as chosen from schedule and indicated by code suffix. Surface finish shall be bright (polished) or satin (brushed) as chosen by option and indicated by code suffix.

Round Towel Bar shall be Model № 7355-____ {specify length and finish as per schedule below} of American Specialties, Inc., 441 Saw Mill River Road, Yonkers, New York 10701-4913

INSTALLATION

Surface mount unit on wall using № 10 self-tapping screws (by others) through holes provided in mounting plates into suitable prepared mountings (by others) or other suitable mounting hardware (by others) to suit wall conditions. Hang post and flange assemblies on mounting plates with bar captured and tighten setscrews to lock unit to plates. For compliance with ICC/ANSI A-117.1-2003 and 2010 ADA Accessibility Standards, install unit with top of towel rod 48" [1219] maximum above finished floor (MAX AFF) if clear floor forward reach or if clear floor side reach access only is provided or 46" [1168] MAX AFF if side reach access over an obstruction (e.g. vanity) with reach depth greater than 10" [254] and less than 25" [635] is only provided or 44" [1118] MAX AFF if forward reach over an obstruction (e.g. commode) with reach depth greater than 20" [508] and less than 25" [635] is only provided. For general utility, install towel rod with centerline of mounting plates at 55" [1397] AFF.

LENGTH AND FINISH SCHEDULE

LENGTH	MODEL №	
	Bright (Polished) Finish	Satin (Brushed) Finish
18" [457]	7355-18B	7355-18S
24" [610]	7355-24B	7355-24S
30" [762]	7355-30B	7355-30S