



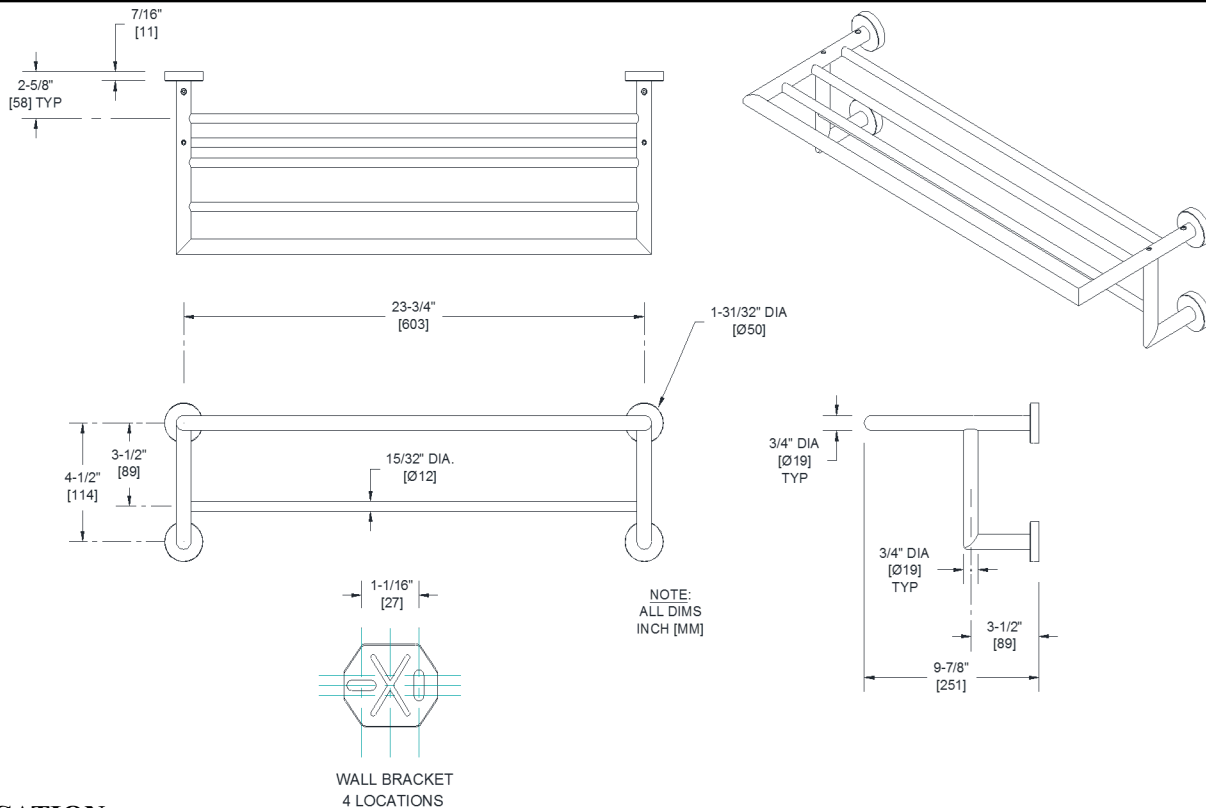
**AMERICAN SPECIALTIES, INC.**  
 441 Saw Mill River Road, Yonkers, NY 10701  
 (914) 476.9000 • (914) 476.0688  
 www.americanspecialties.com

**MODEL №: 7383**

**ISSUED: 01/14**

**REVISED: 11 Apr 2016**

## TOWEL SHELF WITH HANGER ROD



### SPECIFICATION

Towel Shelf with Hanger Rod shall be type 304 stainless steel alloy 18-8 of welded round tubing construction and shall have 19 gauge 3/4" diameter [Ø19] formed frame as front and side rim retained on support posts by concealed screws. Concealed support side posts shall be 21/32" diameter [Ø17] solid rod with polished cast mounting flanges bolted on. Hanger rod shall be 15/32" diameter [Ø12] tube and shall be set into frame side support L-tubes, which shall have welded plugs in ends and be threaded to engage concealed retaining screws through frame tube and support posts. Finish shall be satin on all visible surfaces. A stainless steel setscrew shall be provided on bottom perimeter of flanges to lock unit to mounting plates. Mounting plates provided shall be formed 19 gauge with integral ribs for rigid installation.

**Towel Shelf with Hanger Rod shall be Model № 7383 of American Specialties, Inc., 441 Saw Mill River Road, Yonkers, New York 10701-4913**

### INSTALLATION

Surface mount unit on wall using eight (8) № 6 x 1-3/8" [M4x35] self tapping screws (supplied) through holes provided in mounting plates into anchors (supplied) in suitably prepared walls (by others) or other suitable mounting hardware (by others) to suit wall conditions. Waterproof screw penetrations through tiles in wet area installations. Hang shelf post and flange assemblies on mounting plates and tighten setscrews to lock unit to plates with hex key provided. For compliance with 2010 ADA Accessibility Standards, install unit with top of shelf 48" [1219] maximum above finished floor (MAX AFF) if clear floor reach access is provided or 46" [1168] MAX AFF if side reach access over an obstruction (e.g. tub) with reach depth greater than 10" [254] and less than 25" [635] is only provided or 44" [1118] MAX AFF if forward reach over an obstruction with reach depth greater than 20" [508] and less than 25" [635] is only provided. For general utility, mount unit with top rim of shelf 55" to 65" [1397 to 1651] above floor.

### OPERATION

Shelf has open spaces between tubes to reduce weight and facilitate drying. Properly installed shelf will support up to 35.3 lbs (16 kg) total weight of towels and items hung on rod.