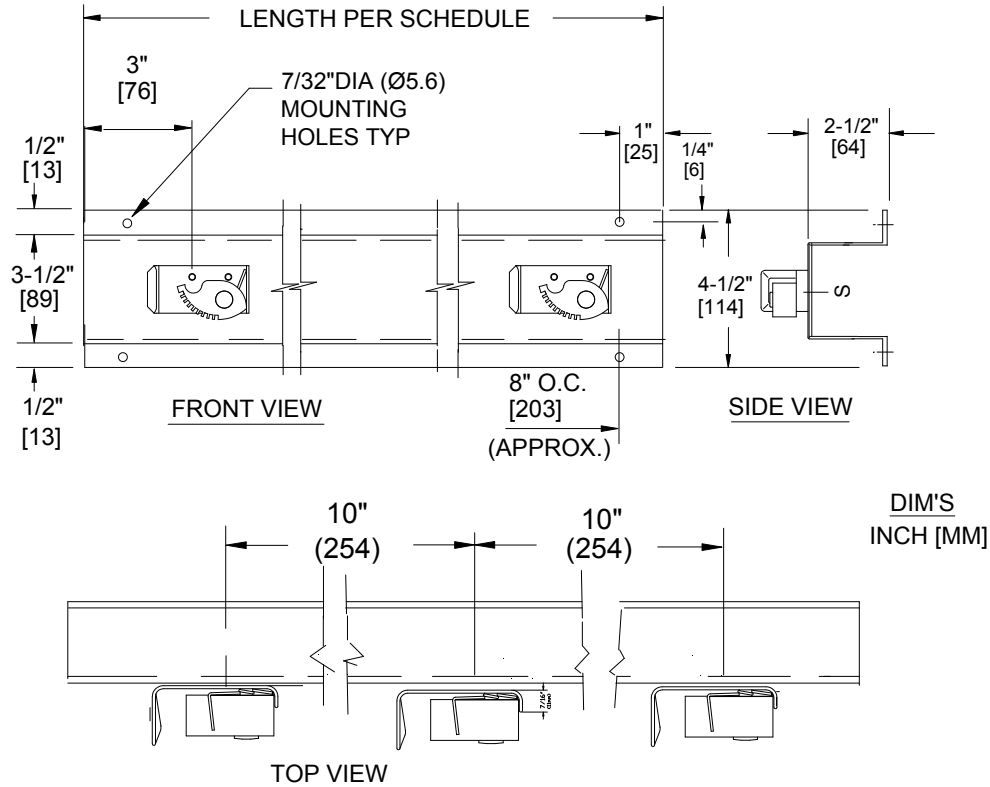




AMERICAN SPECIALTIES, INC.
 441 Saw Mill River Road, NY 10701
 (914) 476.9000 • (914) 476.0688
 www.americanspecialties.com

MODEL №:	8215
ISSUED:	01/87
REVISED:	14 Oct 2013

MOP AND BROOM HOLDER RACK



SCHEDULE OF AVAILABILITY		
ASI MODEL №	LENGTH	MOP HOLDER QUANTITY
8215-3	26" (660)	3
8215-4	36" (914)	4
8215-5	46" (1168)	5

SPECIFICATION

Mop and Broom Holder Rack shall be 20 gauge type 304 alloy 18-8 stainless steel one-piece hat channel with satin finish. Mop holder brackets shall be cadmium-plated steel and shall be ribbed for strength. Each mop holder shall have a pivoting spring loaded serrated rubber cam that shall hold round handles of 7/8" to 1-1/4" dia (Ø22 to Ø32) wedged against ribbed clamp plate. Each mop holder shall support up to 10 lbs. (4.54 kg.).

Mop and Broom Holder Rack shall be Model № 8215-3 (or № 8215-4 or № 8215-5) as manufactured by American Specialties, Inc., 441 Saw Mill River Road, Yonkers, NY 10701-4913

INSTALLATION

For general utility mount rack 70" (1778) above finished floor (AFF) from bottom of rack with № 10 self-tapping screws (by others) through holes provided. For compliance with 2010 ADA Accessibility Standards install unit so that top of rack is 48" (1219) maximum AFF if clear floor reach access is provided.

OPERATION

Mop or broom handle is pushed into grip-jaw of pivoting serrated rubber cam with upward motion until it seats behind rib on clamp plate. Spring holds cam against handle. Gravity holds mop clamped in position.