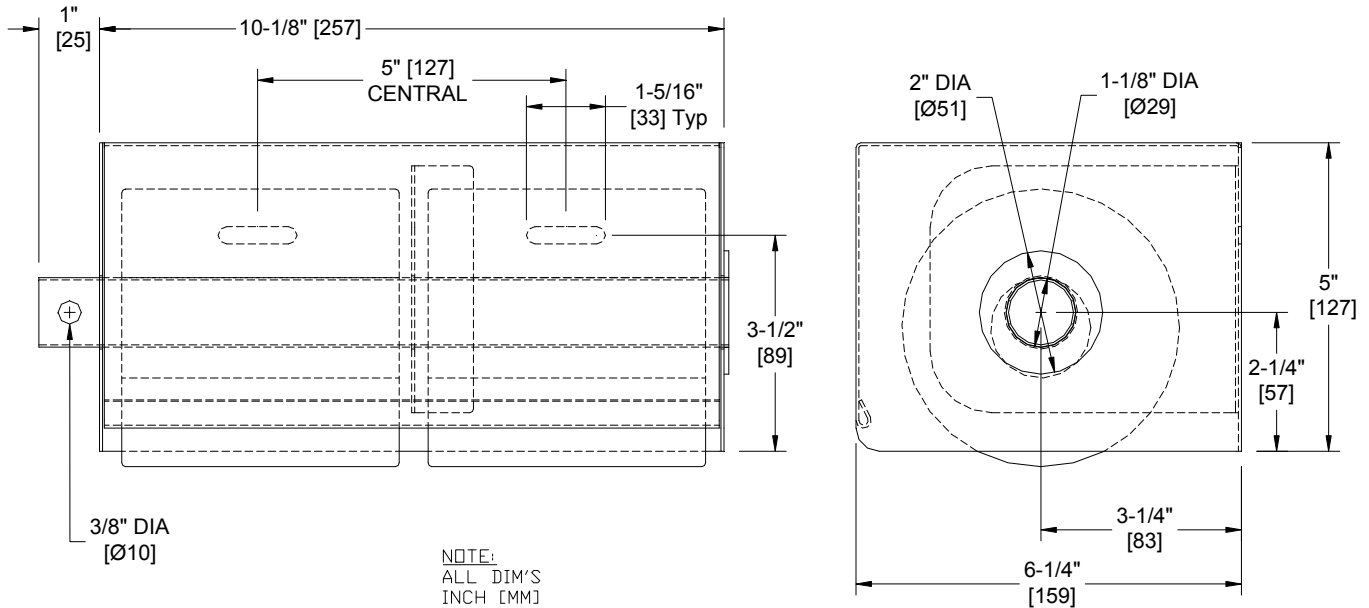




AMERICAN SPECIALTIES, INC.
441 Saw Mill River Road, NY 10701
(914) 476.9000 • (914) 476.0688
www.americanspecialties.com

MODEL №:	8436-2S
ISSUED:	2-09
REVISED:	26 Feb 2013

SURFACE MOUNTED TWIN SECURITY TOILET PAPER DISPENSER



SPECIFICATION

Surface Mounted Twin Security Toilet Paper Dispenser shall hold and dispense two (2) standard or two (2) 5-1/4" diameter (Ø133) 1800 sheet tissue rolls and shall be constructed of 18 gauge type 304 stainless steel alloy 18-8. All exposed surfaces shall be satin finish and be protected during shipment with PVC film easily removable after installation. Internal baffle shall provide intermediate support for locking spindle bar for enhanced security. Structural assembly of body components shall be of welded construction. Spindle bar shall be held closed with a padlock with 5/16" diameter (Ø8) max shackle (supplied by others). Theft and vandal resistant spindle bar with welded collar stop shall be supplied.

Surface Mounted Twin Security Toilet Paper Dispenser shall be Model № 8436-2S of American Specialties, Inc. 441 Saw Mill River Road Yonkers, New York 10701-4913

INSTALLATION

Surface mount unit on wall or partition using two (2) 1/4" x 1" (M6 x 25) Philips pan head self-tapping screws (by others) through slots on rear wall into suitable wall preparation (by others). Both mounting holes are horizontal slots for ease of adjustment. For compliance with 2010 ADA Accessibility Standards install top of unit 25" to 29" (635 ~ 737) above finished floor.

OPERATION

Reload unit by unlocking padlock (by others) and removing spindle bar from housing. TP rolls are held aligned with housing holes and spindle bar is reinserted through housing and secured with padlock. Rolls cannot be removed without unlocking padlock (by others). Rolls feed freely until depleted.