



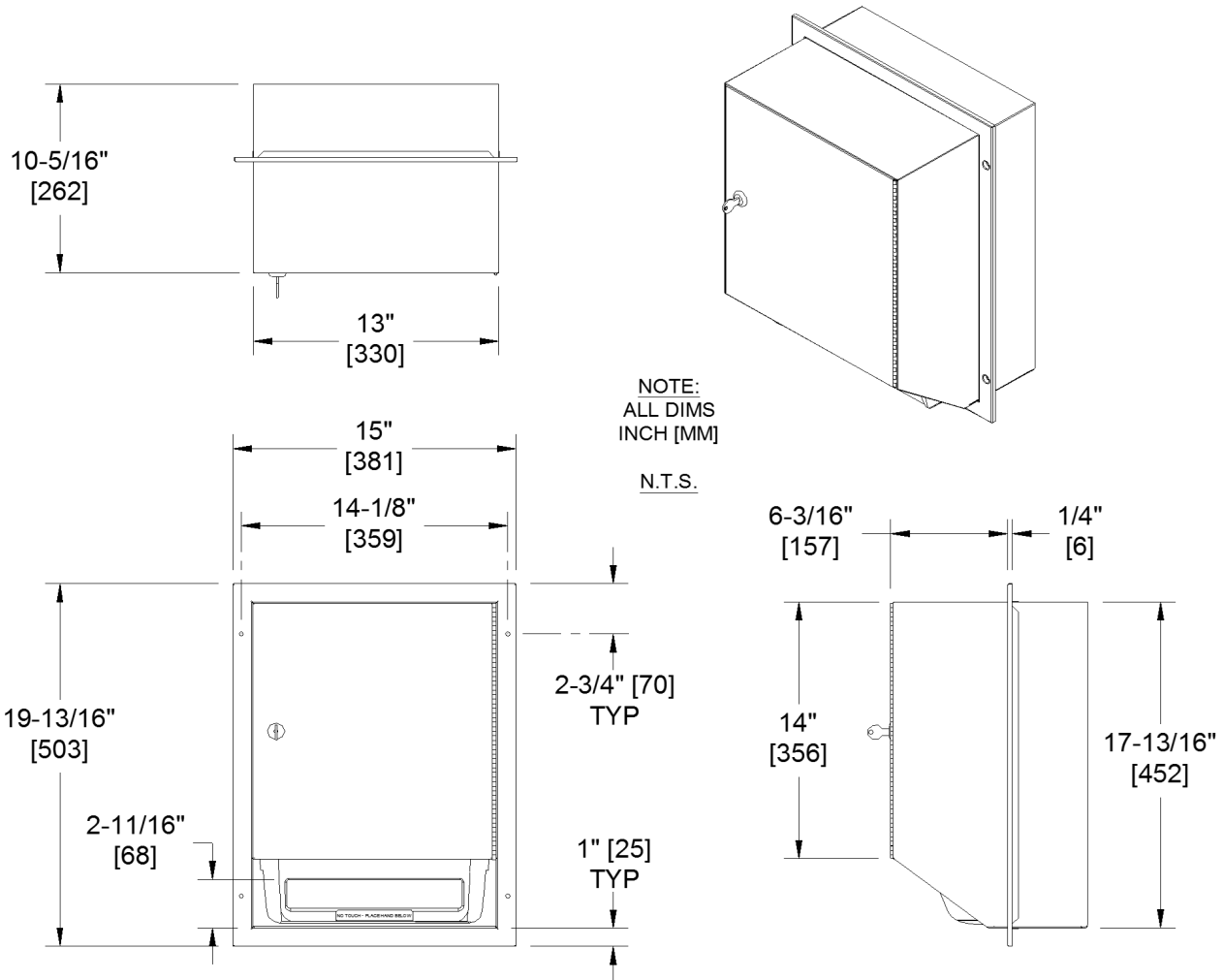
AMERICAN SPECIALTIES, INC.
 441 Saw Mill River Road, Yonkers, NY 10701
 (914) 476.9000 • (914) 476.0688
 www.americanspecialties.com

MODEL №: 8523A-SR4

ISSUED: 01/16

REVISED:

SEMI-RECESSED AUTOMATIC ROLL PAPER TOWEL DISPENSER (PAGE 1 OF 2)



SPECIFICATION

Semi-Recessed Automatic Roll Paper Towel Dispenser shall hold and dispense one 8" wide x 8" diameter [203 x Ø203] standard towel roll up to 800 ft. [244m] long and one 8" wide [203] stub roll up to 3-1/2" diameter [Ø89]. Automatic Touchless Roll Towel Dispenser shall be powered by four (4) D-size batteries (not supplied) and shall operate automatically to activate towel dispensing when hands are placed in sensor zone. At each activation unit shall feed out a length of towel selected by owner by setting length, delay and paper saver switches. Unit shall have an internal towel cut-off bar. Cabinet and frame shall be 22 gauge type 304 stainless steel alloy 18-8. Towel dispenser door shall be 18 gauge same grade and shall have a full return and formed sill at bottom edge for user safety. All exposed surfaces shall have satin finish protected by PVC film easily removed after installation. Door shall be attached to cabinet at side with a full-length 3/16" diameter [Ø4.8] stainless steel multi-staked piano hinge and shall be held closed with a tumbler lock keyed alike to other ASI washroom equipment. Structural assembly of all components shall be of welded construction. Cabinet shall have no exposed fastening devices or spot-welded seams. Punched hole is provided for #10 self-threading screw (by others) for mechanism ground wire connection by ring terminal provided on wire.

Semi-Recessed Automatic Roll Paper Towel Dispenser shall be Model № 8523A-SR4 as manufactured by American Specialties, Inc., 441 Saw Mill River Road, Yonkers, New York 10701-4913



AMERICAN SPECIALTIES, INC.
 441 Saw Mill River Road, Yonkers, NY 10701
 (914) 476.9000 • (914) 476.0688
 www.americanspecialties.com

MODEL №: 8523A-SR4

ISSUED: 01/16

REVISED:

SEMI-RECESSED AUTOMATIC ROLL PAPER TOWEL DISPENSER (PAGE 2 OF 2)

INSTALLATION

Provide adequate in-wall reinforcement (by others) in drywall construction to hold mounted unit in rough wall opening (RWO) after wall is finished. Provide appropriate anchors (by others) to suit wall and field conditions for installation into walls other than new drywall. Mount unit in wall using № 10 or 1/4" [M5 or M6] x 1-1/2" self-tapping pan head screws (by others) or other suitable fasteners (by others) through concealed mounting holes provided in rear wall of cabinet. Alternatively for shallow walls, installer must drill holes in side walls of cabinet in appropriate locations to suit blocking in side walls of RWO. Towel mechanism 8372 is supplied installed. Connect ground wire ring terminal (provided) to housing back hole (provided) with self-threading screw (by others) sized #10x1/4" Philips Pan Head with internal tooth lock washer (by others). For compliance with ICC/ANSI A-117.1-2003 and 2010 ADA Accessibility Standards, install unit so that top edge of towel dispenser opening is 48" [1219] maximum above finished floor (MAX AFF) only if clear floor reach access is provided. Be advised that local codes may require mounting so that top of towel dispenser opening is 40" [1016] MAX AFF (e.g. California UBC/Title 24). For general utility, install unit with top of towel dispenser opening between 49" and 56" [1245 to 1422] AFF.

RWO Required is 13-1/4" W x 18-1/16" H x 3-15/16" D minimum [336 x 459 x 100 minimum]

OPERATION

Towels are dispensed one length at a time automatically when hands are placed in sensor zone until supply is depleted. Owner predetermines length of towel dispensed by making selections on three (3) three-position switches for length, delay, and economy. Unit may be reloaded with a full roll to automatically start when finished with an existing partial roll and will continue to feed properly when reloaded with a full roll and partial roll is transferred to stub roll position. Refill dispenser by unlocking door and replacing towel roll for an empty or partially empty unit. Dispenser supply is replenished and batteries are replaced manually on cycles determined by maintenance needs. LED indicates sensing and battery condition. Locking door prevents unauthorized access and roll removal.