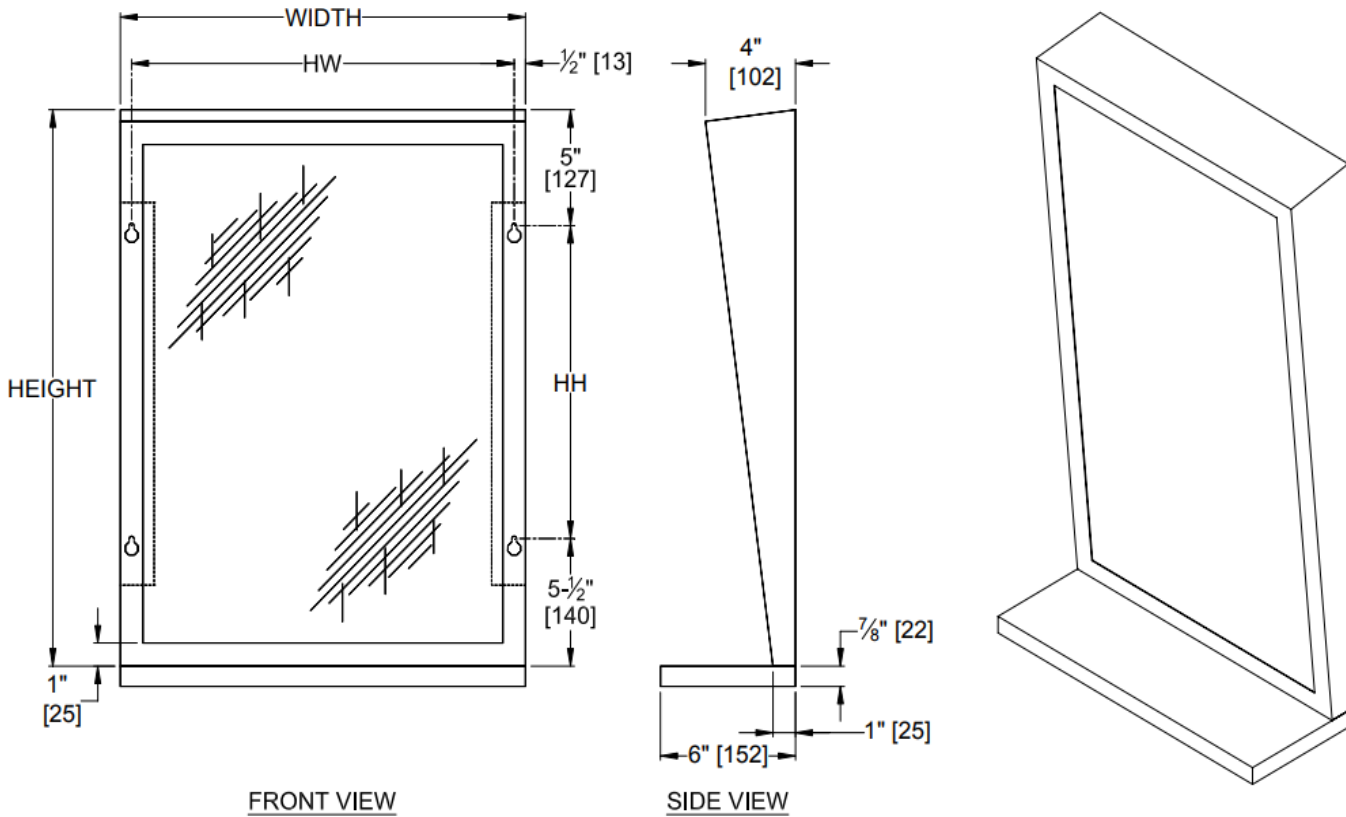




AMERICAN SPECIALTIES, INC.
 441 Saw Mill River Road, NY 10701
 (914) 476.9000 • (914) 476.0688
 www.americanspecialties.com

MODEL №: 0537
 ISSUED: 01/87
 REVISED: 19 FEB 2018

FIXED ANGLE TILTED MIRROR WITH SHELF



FRONT VIEW

SIDE VIEW

SPECIFICATION

Fixed Angle Tilted Mirror with Shelf shall be fabricated of 20 gauge, type 304, stainless steel alloy 18-8. Face shall be one piece construction free of miters or spot welded seams. All exposed surfaces shall have satin finish and be protected during shipment by PVC film easily removable after installation. Concealed tamper resistant locking devices shall be provided. Mirror shall be _____ (INSERT GLAZING OPTION) and shall be warranted for 15 years against silver spoilage per standard warranty. Mirrors shall be supplied as standard with glazing option "A". For a complete description and other choices of glazing options, see Mirror Glazing Options Chart.

Fixed Angle Tilted Mirror with Shelf shall be Model № 0537-_____ (insert size code) - _____ (insert glazing option) manufactured by American Specialties, Inc., 441 Saw Mill River Road, Yonkers, New York 10701-4913

INSTALLATION

Surface mount unit on wall or partition using four (4) № 10 self tapping pan head or round head screws (by others). Mounting holes through back are keyhole slots for hanging unit on pre-installed screws. Unit requires 5/8" [16] clearance at top to engage screws in keyhole slots. For compliance with 2010 ADA Accessibility Guidelines, bottom of reflecting surface should be located 40" [1016] maximum above finished floor.

MODEL №	QTY	DIMENSIONS			
		W	H	HW	HH
0537-1630-_____		16" [406]	30" [762]	15" [381]	19-1/2" [495]
0537-1830-_____		18" [457]	30" [762]	17" [432]	19-1/2" [495]
0537-1836-_____		18" [457]	36" [914]	17" [432]	25-1/2" [648]



AMERICAN SPECIALTIES, INC.
 441 Saw Mill River Road, Yonkers, NY 10701
 (914) 476.9000 • (914) 476.0688
 www.americanspecialties.com

MODEL №: GLAZINGS

ISSUED: 1-87

REVISED: 22 MAY 2014

MIRROR GLAZING OPTIONS

GLAZING SUFFIX	DESCRIPTION
A	Plate Glass - 1/4" (6.4mm) thick № 1 quality polished, silver coated and hermetically sealed with a uniform coating of electrolytic copper plating. Mirrors meet Federal Spec. № DD-M-411C, ASTM C-1503 and ASTM-C-1036-91. Image quality: Excellent
B (1,2,3)	Tempered Glass - 1/4" (6.4mm) thick polished tempered glass with two coats of silver applied. Electroplating with a heavy uniform coating of copper hermetically seals the silver. Back of mirror is finished and protected with a thick coat of heavy waterproof paint. Glazing meets Federal Specification № DD-G1403B, Amendment 1, ASTM C-1503 and ASTM-C-1048-92. Image quality: Good
C (1,2,3)	Metal Mirrors - Shall be Type 304 alloy 18-8 stainless steel, 20 gauge polished to a № 8 mirror finish. Image quality: Good
D (1)	Lexan Dura-Mirror - 1/4" (6.4mm) thick polycarbonate sheet, highly impact resistant. Mirror face is provided with a thick removable masking to prevent scratching during installation. Image quality: Very Good
E (1)	Plexiglas® - Shall be 1/4" (6.4mm) thick acrylic plastic, lightweight and highly shock resistant. Image quality: Very Good
L (1)	Mirror is fabricated with an interlayer of 1/32" (.8mm) thick vinyl bonded between two 1/8" (3mm) thick sheets of № 1 quality polished plate glass with back silver coated and hermetically sealed with a uniform coating of electrolytic copper plating. Back of mirror is finished and protected with a thick coat of heavy-duty waterproof paint. Laminated glass meets the performance criteria of Federal Spec. № DD-M-451 and ANSI Z87.1 specifications and complies with CPSC standards 16 CR 1201 (1) 11. Image quality: Excellent

NOTES

1. Glazing types indicated are particularly suited to applications where frequent breakage and/or security problems exist. These surfaces are best specified for use in prisons, schools, police stations, hospital wards, etc., where shards of broken glass might possibly be used as weapons.
2. The reflective quality of these mirror types is not as true as plate glass.
3. ASI will not accept returns of these mirror types based upon claims of distortion in reflective properties.