



AMERICAN SPECIALTIES, INC.

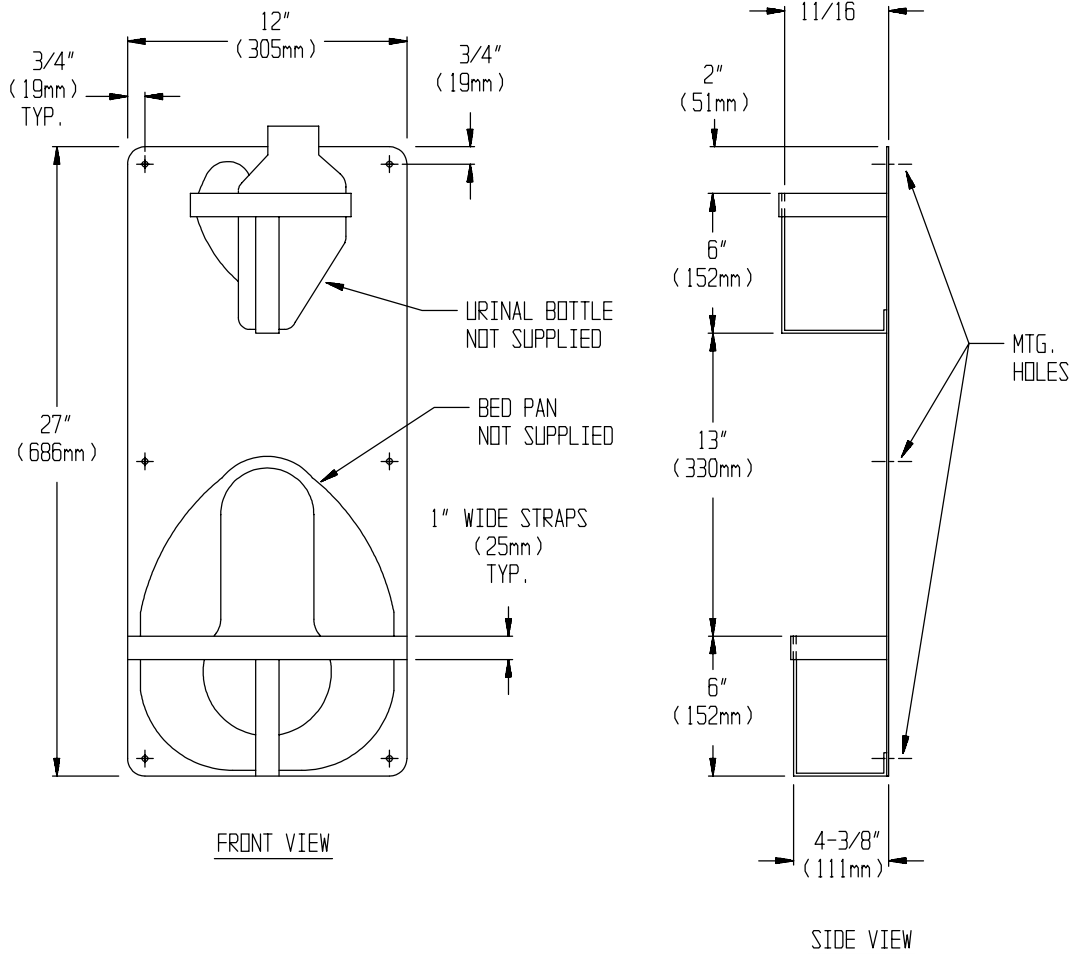
441 Saw Mill River Road, Yonkers, NY 10701 (914) 476-9000

MODEL No: 0556

ISSUED: 1-87

REVISED: 9-04

SURFACE MOUNTED BEDPAN AND URINAL BOTTLE STORAGE RACK



NOTE : PHYSICAL BED PAN AND URINAL BOTTLE ARE REQUIRED TO CHECK FOR PROPER FIT.

SPECIFICATION

Surface Mounted Bedpan and Urinal Bottle Storage Rack shall hold one (1) conventional bedpan and one (1) urinal bottle of types indicated on shop fabrication drawings. Unit shall be fabricated of alloy 18-8 stainless steel, type 304. Back plate shall be 18 gauge and holding straps shall be 16 gauge. All exposed surfaces shall have N^o 4 satin finish and shall be protected during shipment with a PVC film easily removable after installation.

Surface Mounted Bedpan and Urinal Rack shall be Model N^o 0556 as manufactured by American Specialties, Inc., 441 Saw Mill River Road, Yonkers, New York 10701-4913.

INSTALLATION

For compliance with ADA Accessibility Guidelines, install unit so that top of rack is 54" (1372mm) maximum above finished floor (AFF) if clear floor side reach access is provided or 48" (1219mm) maximum AFF if clear floor forward reach access is provided. Surface mount and secure rack to wall with six (6) N^o 10 self-tapping screws (by others) through mounting holes in back plate.

OPERATION

The urinal bottle is stored in the top strap rack and the bedpan is stored in the bottom strap rack.

Accessory Specialties

AMERICAN DISPENSER

Desert Ray Products

WATROUS .INC.