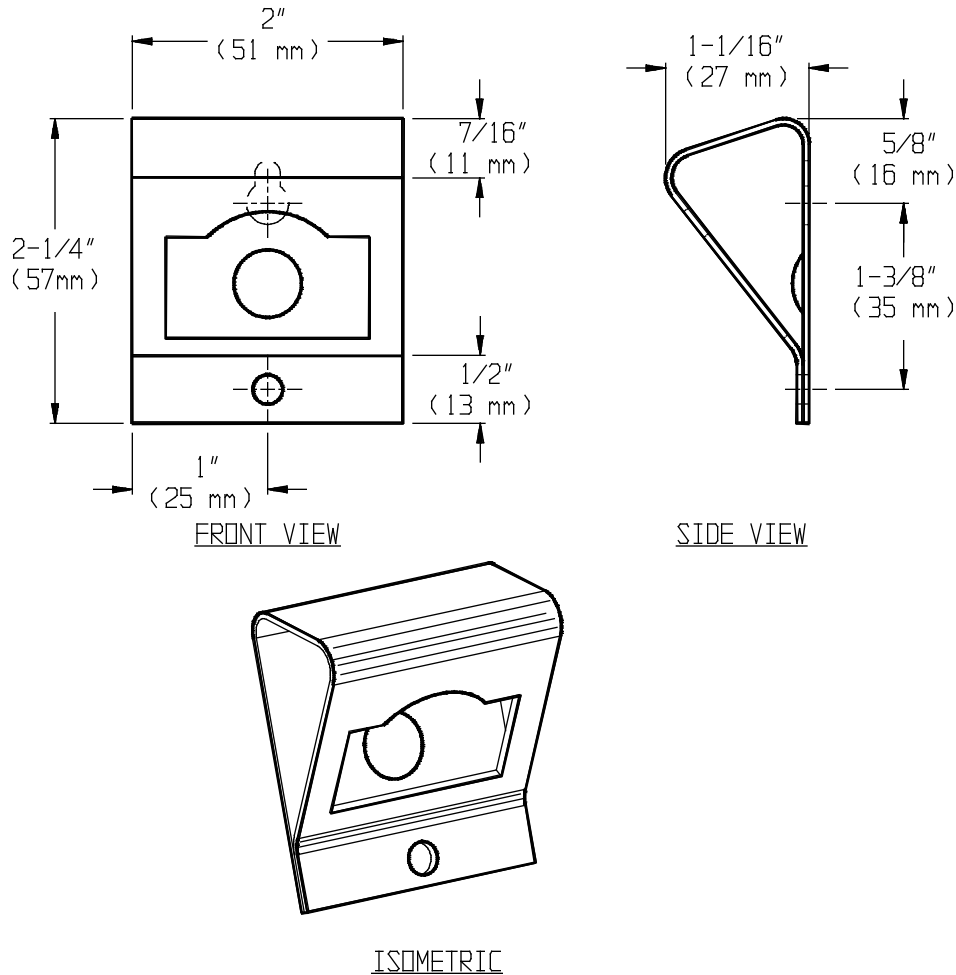




AMERICAN SPECIALTIES, INC.
441 Saw Mill River Road, Yonkers, NY 10701 (914) 476-9000

MODEL No:	0711
ISSUED:	1-87
REVISED:	9-96

SURFACE MOUNTED BOTTLE OPENER



SPECIFICATION

Surface Mounted Bottle Opener shall be fabricated of alloy 18-8 stainless steel, type 304, N^o16 gauge of one piece construction. All exposed surfaces shall be N^o4 satin finish and be protected during shipment with a PVC film easily removable after installation.

Surface Mounted Bottle Opener shall be Model N^o 0711 as fabricated by American Specialties, Inc. 441 Saw Mill River Road Yonkers, New York 10701-4913.

INSTALLATION

A mounting hole through back is "keyholed" for ease in hanging unit on pre-installed screw (supplied). Unit is secured by tightening bottom screw (supplied) firmly to wall. For compliance with ADA Accessibility Guidelines, unit should be installed so that opener is 54" (1372mm) maximum above finished floor (AFF) if clear floor side reach access is provided or 48" (1219mm) maximum AFF if clear floor forward reach access only is provided or 46" (1168mm) maximum AFF if side reach over an obstruction only is only provided (ie: vanity).

OPERATION

Place bottle into opener and push downward.

OPTIONS

For bright finish stainless steel instead of satin finish, add suffix-B to model number.

Accessory Specialties

AMERICAN DISPENSER

Desert Ray Products

WATROUS INC.