



AMERICAN SPECIALTIES, INC.

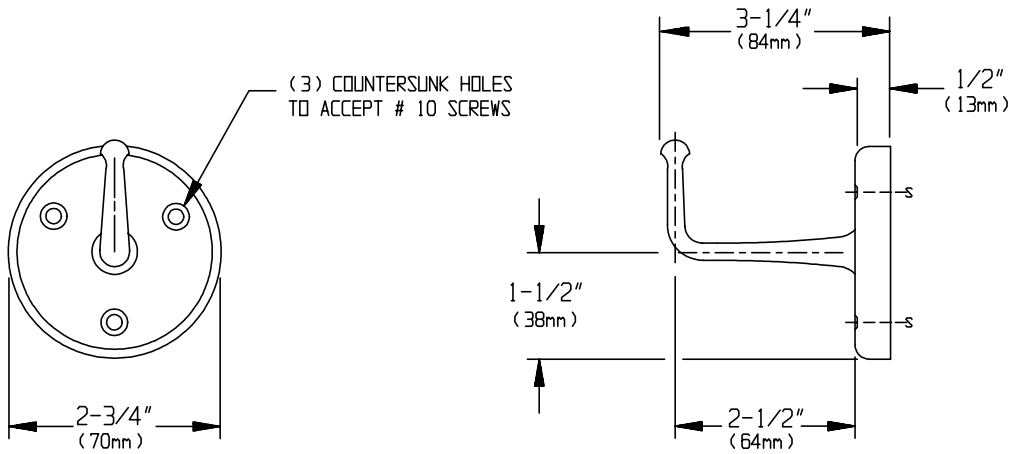
441 Saw Mill River Road, Yonkers, NY 10701 (914) 476-9000
www.americanspecialties.com

MODEL No: 0751-A

ISSUED: 1-87

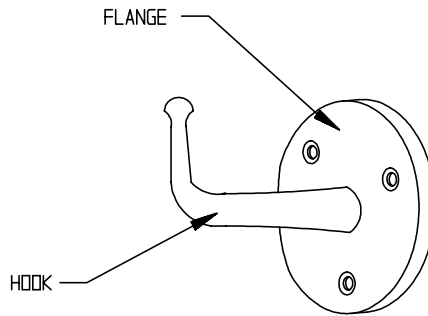
REVISED: 12-06

SURFACE MOUNTED HEAVY DUTY ROBE HOOK



FRONT VIEW

SIDE VIEW



PERSPECTIVE

SPECIFICATION

Surface Mounted Heavy-Duty Robe Hook shall be fabricated of brass with a chrome finish. Three (3) 7/32" diameter (Ø5.6) countersunk holes shall be provided for anchoring hook to wall on 2-3/4" diameter (Ø70) flange. Hook shall be capable of supporting over 300 lbs. (136.1 kg) when property attached to building element.

Heavy Duty Robe Hook shall be Model N^o 0751-A of American Specialties, Inc., 441 Saw Mill River Road, Yonkers, New York 10701-4913

INSTALLATION

Unit is surface mounted on wall or partition using stainless steel Philips flat or oval head N^o 10 self tapping screws (provided by others to suit wall conditions) in a manner capable of supporting 300 lbs (136.1 kg). Ensure that mounting configuration complies with local building codes. For compliance with ADA Accessibility Guidelines install the hook center-line 54" (1372) maximum above the finished floor (MAX AFF) when clear floor side reach access is provided or 48" (1219) MAX AFF with clear floor forward reach access only provided.

Accessory Specialties

AMERICAN DISPENSER

Desert Ray Products

WATROUS inc.