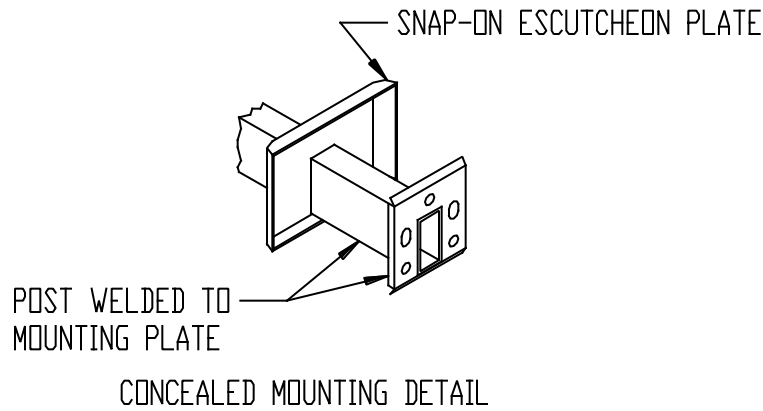
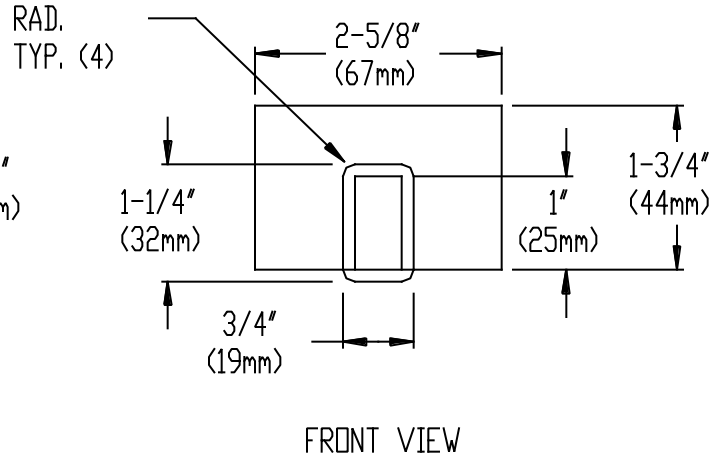
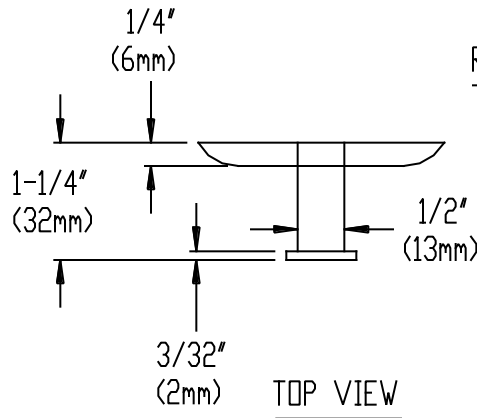




AMERICAN SPECIALTIES, INC.
441 Saw Mill River Road, Yonkers, NY 10701 (914) 476-9000

MODEL No:	7740
ISSUED:	1-87
REVISED:	9-96

SINGLE ROBE HOOK



SPECIFICATION

Single Robe Hook shall be fabricated of alloy 18-8 stainless steel type 304. Snap-on escutcheon plate shall be N^o22 gauge. Mounting plate shall be N^o18 gauge. Post shall be 1/2" x 1" (13mm x 25mm) x N^o20 gauge rectangular tubing and shall be welded to mounting plate. All exposed surfaces shall be bright or satin as chosen by option.

Single Robe Hook shall be Model N^o 7740-S or (N^o7740-B) as fabricated by American Specialties, Inc., 441 Saw Mill River Road, Yonkers, New York 10701-4913.

INSTALLATION

Install mounting plate with N^o10 screws provided. Escutcheon plate snaps on to mounting plate to conceal fasteners. For compliance with ADA accessibility guidelines install top of hook 54" (1372mm) maximum above finished floor (AFF) if clear floor side reach access is provided or 48" (1219mm) max. AFF if clear floor forward reach access is provided. For general utility install 65" (1651mm) maximum AFF.

OPTIONS AVAILABLE

Optional finishes must be specified as either satin or bright. Specify finish by adding suffix to model number (e.g. 7740-S or 7740-B). Finish suffix option -S = satin; option -B = bright.

Accessory Specialties

AMERICAN DISPENSER

Desert Ray Products

WATROUS INC.