



AMERICAN SPECIALTIES, INC.

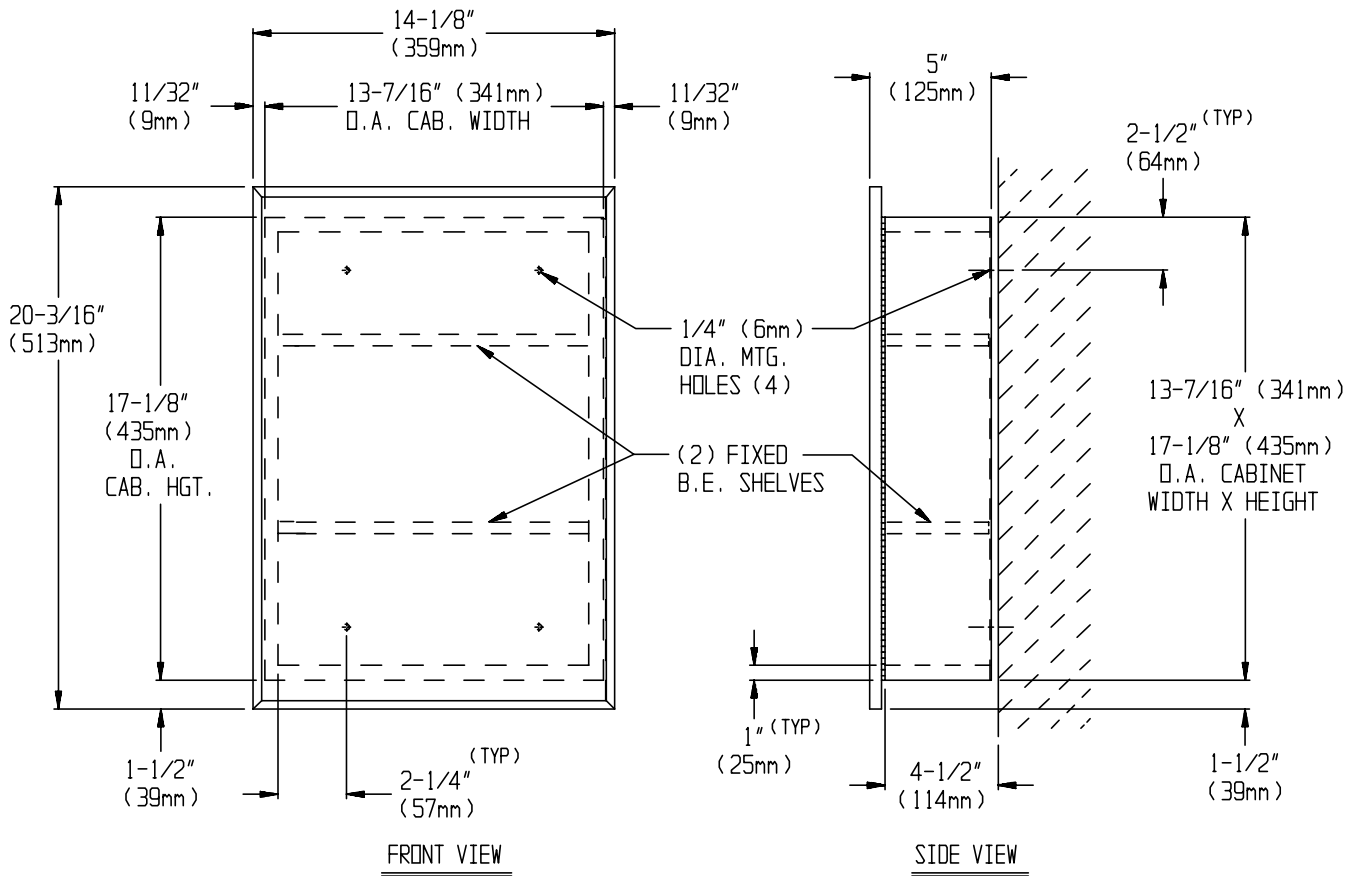
441 Saw Mill River Road, Yonkers, NY 10701 (914) 476-9000
www.americanspecialties.com

MODEL No: 8338

ISSUED: 1-87

REVISED: 8-06

SURFACE MOUNTED MIRRORED SWING DOOR MEDICINE CABINET



SPECIFICATION

Surface Mounted Mirrored Swing Door Medicine Cabinet shall be fabricated of cold rolled steel with a white baked enamel finish. Cabinet shall be provided with two (2) removable white baked enamel steel shelves. Stainless steel door channel frame shall be attached to cabinet with piano hinge, painted to match cabinet, and shall be held closed by a magnetic catch. Mirror shall be N^o 1 quality 1/4" (6mm) thick polished float/plate glass, and shall be warranted for 15 years against silver spoilage.

Surface Mounted Mirrored Swing Door Medicine Cabinet shall be Model N^o 8338 as supplied by American Specialties, Inc., 441 Saw Mill River Road, Yonkers, New York 10701-4913

INSTALLATION

For general utility mount cabinet 46" (1168mm) above finished floor (AFF) from bottom of unit or 12" (305mm) above top of washbasin. Secure cabinet in place with four (4) N^o 10 self-tapping screws (by others) through mounting holes provided in cabinet back. Cabinet is universal for left-hand door swing and may be inverted to produce a door with a right hand swing if required. Install unit so that bottom edge of reflecting surface is no higher than 40" (1016mm) above finished floor for compliance with ADA Accessibility Guidelines.

OPERATION

User pulls door to access contents and manually pushes door to engage magnetic catch that holds door shut.

Accessory Specialties

AMERICAN DISPENSER

Desert Ray Products

WATROUS INC.