



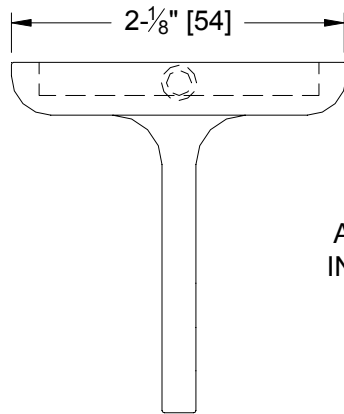
AMERICAN SPECIALTIES, INC.
441 Saw Mill River Road, NY 10701
(914) 476.9000 • (914) 476.0688
www.americanspecialties.com

MODEL No: 0740-ZA

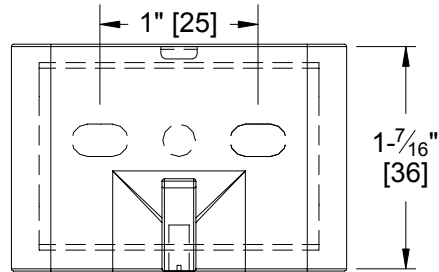
ISSUED: 06/10

REVISED:

SINGLE ROBE HOOK

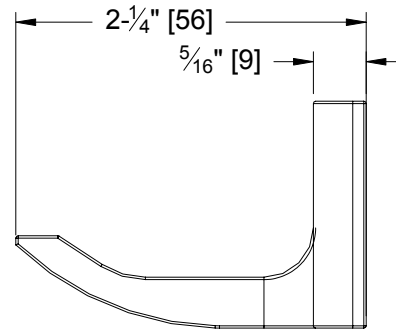
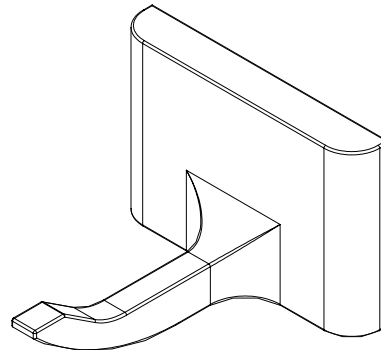


TOP VIEW



FRONT VIEW

NOTE:
ALL DIMS
INCH [MM]



SIDE VIEW

SPECIFICATION

Surface Mounted Single Robe Hook shall be fabricated of triple chrome plated rust proof Zamak. One stainless steel slotted set screw shall be provided along base of flange for anchoring to stainless steel wall bracket. Wall bracket shall have two (2) oval mounting holes for #8 screws (provided).

Surface Mounted Single Robe Hook shall be Model N^o 0740-ZA of American Specialties, Inc. 441 Saw Mill River Road Yonkers, New York 10701-4913

INSTALLATION

Wall bracket is surface mounted using № 10 self tapping screws (supplied) through holes provided. Hook is secured to bracket by tightening stainless steel slotted socket set screw. Typical mounting suggestion is 66" (1676) above finished floor (AFF). For compliance with ADA Accessibility Guidelines, unit should be installed so that top of hook is 48" (1219) max AFF.