



AMERICAN SPECIALTIES, INC.

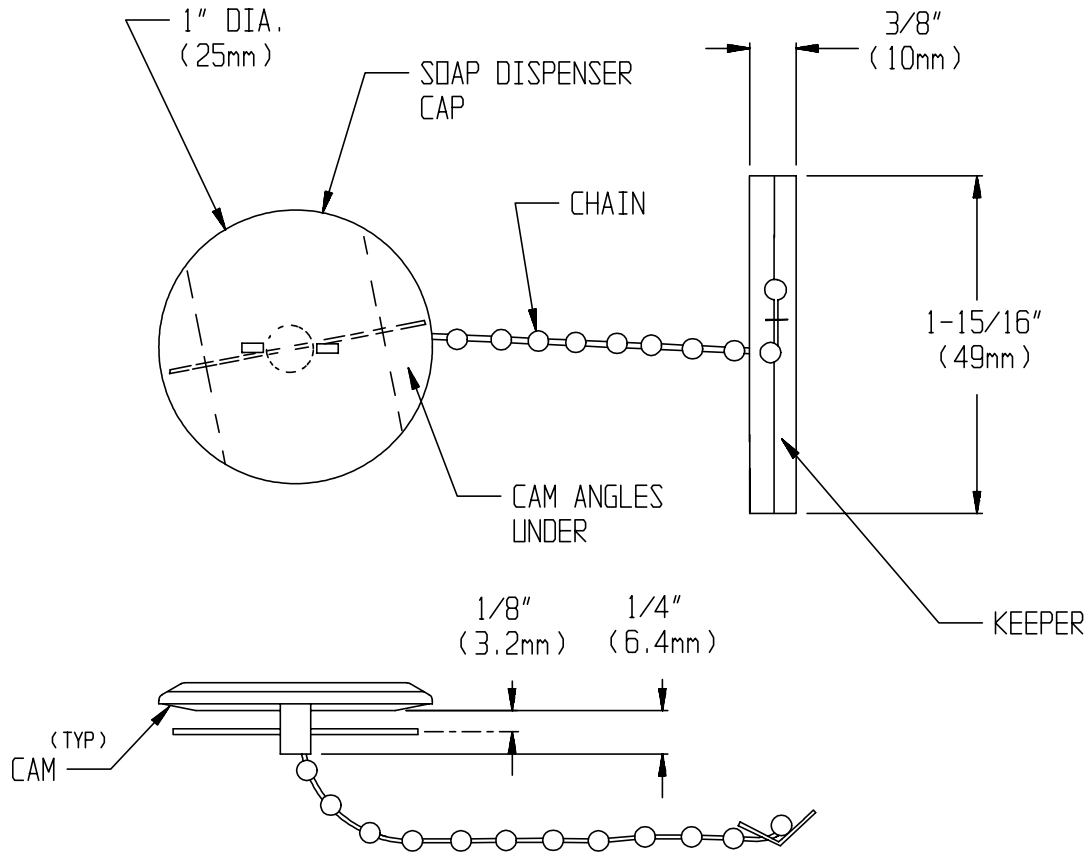
441 Saw Mill River Road, Yonkers, NY 10701 (914) 476-9000

MODEL No: V-10

ISSUED: 5-05

REVISED:

SOAP DISPENSER REFILL CAP AND CHAIN



SPECIFICATION

Soap Dispenser Refill Cap and Chain shall have a chrome plated die cast zinc cap and 2-1/2" (64mm) chrome plated brass bead chain swaged into boss on cap bottom with stainless steel keeper and latch pin. Cap shall be opened and closed with a special key Model N° L-19 with quarter (1/4) turn rotation (90°) and be retained captive to soap dispenser by bead chain and keeper. Cap shall have cam surfaces on underside to maintain snug fit to tank when closed.

Soap Dispenser Refill Cap and Chain shall be Model N° V-10 of American Specialties, Inc., 441 Saw Mill River Road, Yonkers, New York 10701-4913

INSTALLATION

Cap is locked to top of soap dispenser with special key Model N° L-19. Keeper retains cap to prevent inadvertent loss by dropping when it is opened. Model N° V-10 is for use with older style soap dispensers Model N°s 0342, 0343 and 0346 with round notched fill port. Model N° V-10 is not for use with and will not fit newer style soap dispensers Model N°s 0342, 0343 and 0346 with rectangular hinged door fill port.

OPERATION

When soap refill is required unlock cap with special key Model N° L-19 with quarter turn (1/4 turn, 90°) rotation either clock-wise (CW or counter-clock-wise (CCW). Cap hangs on bead chain and keeper. When unit has been refilled, cap is reinstalled in same manner as opening, and closed with either CW or CCW quarter turn (1/4 turn, 90°) rotation. If bead chain has become encrusted with dried soap, it may be removed for cleaning in warm soapy water or with isopropanol. To remove keeper from tank, tilt keeper bar with some probe object, e.g. a pencil, to allow end to clear edge of fill port opening and withdraw keeper on end of bead chain. After cleaning, reinstall by tilting keeper and dropping into fill port.