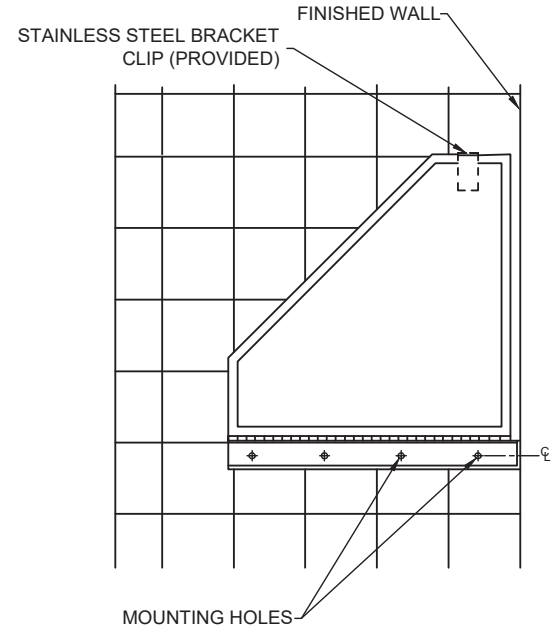
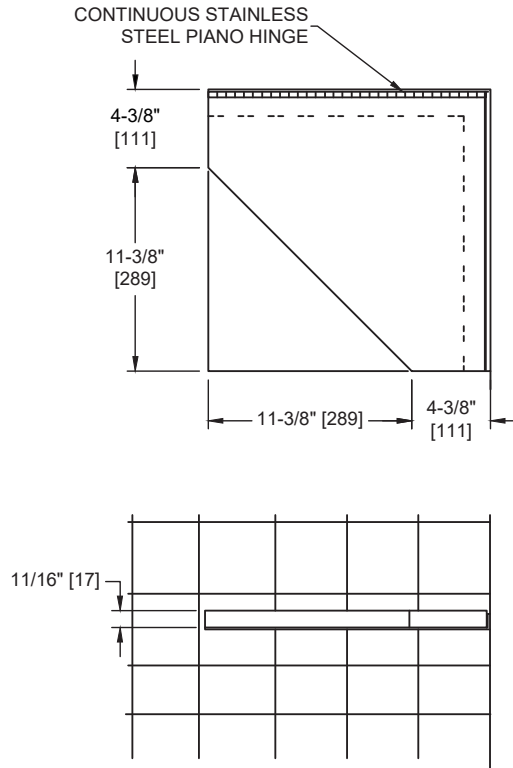


Shower Seat, Corner – Surface Mounted

Shower/Tub Accessories

MasterFormat Section 10 28 13



Scan for Information



SUSTAINABILITY/LEED

MR 4.1 (1) MR 6 (1) EQ 4.2 (1)
MR 4.2 (1) EQ 4.1 (1) EQ 4.4 (1)

NOTE:
ALL DIM'S INCH [MM]
ILLUSTRATION FOR REF ONLY AND NTS

PRODUCT OVERVIEW

Seat, support brackets and retainer clip are type 304 satin finish stainless steel. Seat is secured to one wall with full length 1/8" thick piano hinge and support on other wall by bracket. Seat sustaining a weight in excess of 300 pounds.

KEY FEATURES & SPECIFICATIONS

- For Corner Installation
- Type 304 Stainless Steel - Satin Finish
- Seat is secured to one wall with full length piano hinge
- Seat supported on adjacent wall by bracket

OPERATION & MAINTENANCE

Disengage the bracket clip and lower the seat to a horizontal position. When not in use, return the seat to its storage position by raising the seat to a vertical position and engaging the bracket clip.

TECHNICAL INFORMATION / PRODUCT PROPERTIES

Property	Value
Dimensions	15-3/4" [400] x 15-3/4" [400]
Construction	Type 304 Stainless Steel - Satin Finish
Mounting	Wall Mounted with Full Length Piano Hinge
Materials	<p><u>Brackets:</u> 18 gauge (.048" [1,22] thick) type 304 stainless steel. Exposed surfaces are satin finish. Edges and corners are radiused and burr free.</p> <p><u>Seat:</u> 16 gauge (.06" [1,52] thick) type 304 stainless steel. Exposed surfaces are satin finish. Edges and corners are radiused and burr free.</p>

INSTALLATION

Mount seat to wall 17" [482] to 19" [483] above finished floor (AFF) from top of lowered seat using appropriate fasteners (by others) through counter sunk holes provided in vertical leg of seat bracket. Locate retainer clip bracket to engage seat and hold by friction in storage position. Backing to support seat must be provided as specified by architect and/or required in accordance with local building codes, before finished wall is applied. For compliance with 2010 ADA Accessibility Standards , install unit with lowered seat top 17" [432] min. AFF to 19" [483] max. AFF.

ADDITIONAL INFORMATION

Options:

WARRANTY

One (1) Year from date of Invoice