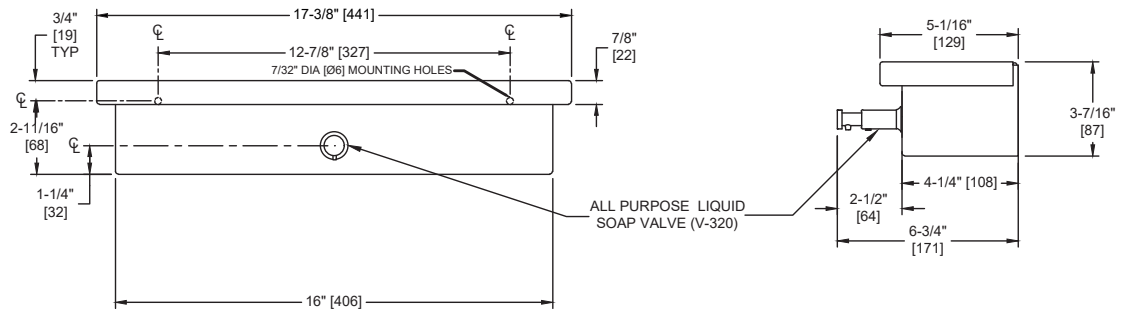


Soap Dispenser and Shelf (One Liquid Valve) – Surface Mounted

Soap Dispensers

MasterFormat Section 10 28 13



Scan for Information



SUSTAINABILITY/LEED

MR 4.1 (1) MR 6 (1) EQ 4.2 (1)
MR 4.2 (1) EQ 4.1 (1) EQ 4.4 (1)

NOTE:
ALL DIM'S INCH [MM]
ILLUSTRATION FOR REF ONLY AND NTS
SEE SOAP DISPENSER CARE & MAINTENANCE
DOCUMENT ONLINE FOR CLEANING

PRODUCT OVERVIEW

Holds and dispenses 83 oz or 2.6 quarts (2.5 liters) of liquid and lotion soaps, synthetic detergents and antibacterial soaps . Shelf/cover held closed with a concealed latch. Soap is manually dispensed by pushing valve button until supply is depleted. Unit may be reloaded easily by opening hinged shelf/cover. Tank supply is replenished manually. Soap Requirements: Proper usage of this dispenser requires, that only soap within the following range for viscosity and pH may be used. Viscosity Range (mPa•s or cP): 100 – 2500. pH Range: 5.5 ~ 8.5

KEY FEATURES & SPECIFICATIONS

- Dispenses antibacterial soaps, synthetic detergents, and liquid and lotion soaps.
- Shelf/cover is secured with a concealed latch.
- Type 304 Stainless Steel - Satin Finish
- Surface Mounted
- 83 oz or 2.6 quarts (2.5 L) capacity

OPERATION & MAINTENANCE

Soap is manually dispensed by pushing valve button until supply is depleted. Unit may be reloaded easily by opening hinged shelf/cover. Tank supply is replenished manually on cycle determined by maintenance needs.

TECHNICAL INFORMATION / PRODUCT PROPERTIES

Property	Value
Dimensions	17-3/8" x 3-7/16" x 5-1/16" [440 x 87 x 130]
Construction	Type 304 Stainless Steel - Satin Finish
Mounting	Surface Mounted
Options	N/A

INSTALLATION

Unit is mounted on wall using two (2) #10 screws (by others) through concealed mounting holes in tank back. For compliance with 2010 ADA Accessibility Standards, install unit so that dispenser valve is 44" [1118] maximum Above Finished Floor.

WARRANTY

One (1) Year from date of invoice