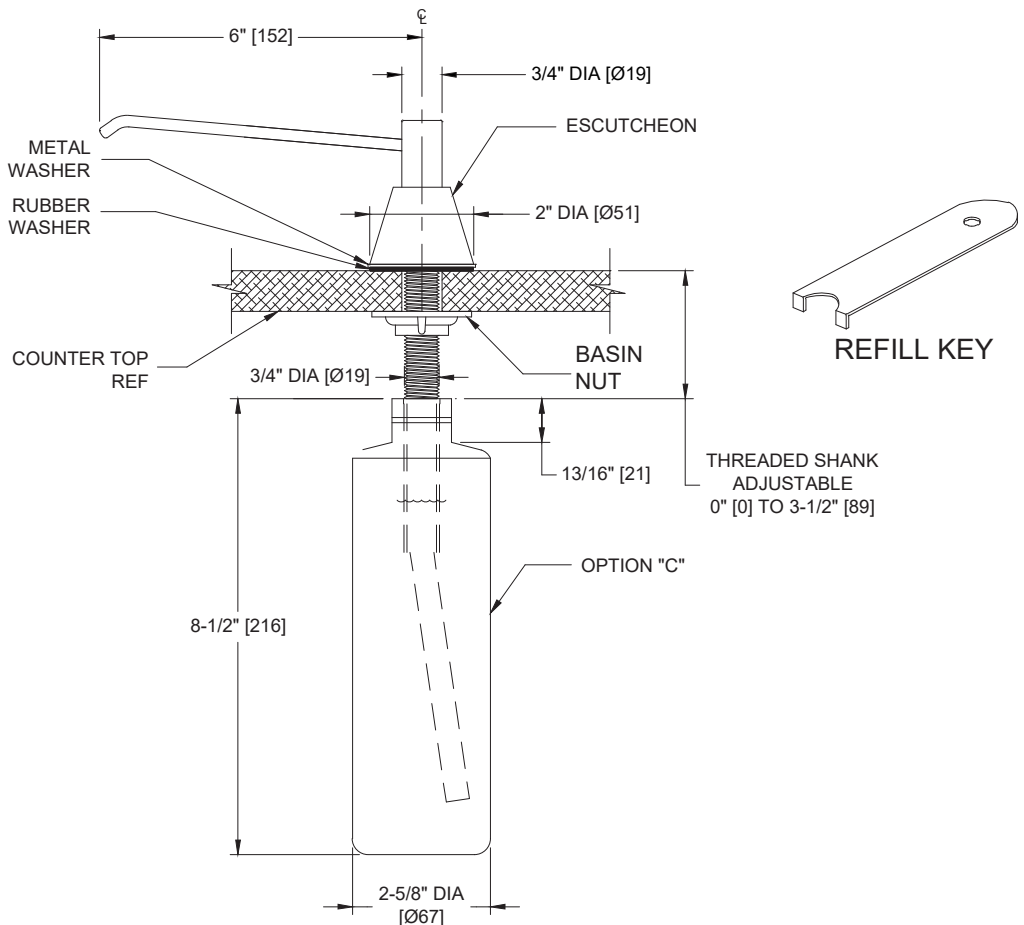


**Lavatory Basin Liquid Soap Dispenser 6" Spout, 4" Shank – 20 oz.**

Soap Dispensers

MasterFormat Section 10 28 13



**NOTE:**  
ALL DIM'S INCH [MM]  
ILLUSTRATION FOR REF ONLY AND NTS  
SEE SOAP DISPENSER CARE & MAINTENANCE  
DOCUMENT ONLINE FOR CLEANING

Scan for Information



**SUSTAINABILITY/LEED**

MR 4.1 (1) MR 6 (1) EQ 4.2 (1)  
MR 4.2 (1) EQ 4.1 (1) EQ 4.4 (1)

**PRODUCT OVERVIEW**

Corrosion-resistant valve with stainless steel spout and chrome plated brass escutcheon plate. Dispenses 20 oz. (.06 liter) of liquid and lotion soaps, synthetic detergents and antibacterial soaps. Soap container is translucent, shatter-resistant polyethylene. Vandal-resistant spout shall rotate 360° without damage to unit. Capacity 20 oz. (.06 L). Spout projection 6" [152]. Soap Requirements: Proper usage of this dispenser requires, that only soap within the following range for viscosity and pH may be used. Viscosity Range (mPa•s or cP): 50 – 2500. pH Range: 5.5 ~ 8.5. Soaps containing reportable salts, chlorides and alcohols should be avoided.

**KEY FEATURES & SPECIFICATIONS**

- Corrosion resistant valve
- Dispenses Liquid Soap
- Type 304 Stainless Steel Spout
- Chrome Plated Brass Escutcheon Plate
- Vanity Mounted
- 6" Spout, 4" Shank – 20 oz. Capacity

**OPERATION & MAINTENANCE**

Dispense soap manually by pushing down on the spout stem. Dispense volume is typically 0.03 fl. oz. (0.8 ml) for liquid soap in correct viscosity range. Dispenser is refilled from above counter top by using the special refill key to unlock the escutcheon and remove the valve body with dip tube from the shank to expose reservoir opening. Pour soap directly into the opening until the level reaches the neck of the reservoir below the vanity.

**TECHNICAL INFORMATION / PRODUCT PROPERTIES**

Property	Value
Dimensions	3-7/16" x 10-21/32" [87 x 271]
Construction	Type 304 Stainless Steel Spout with Chrome Plated Brass Escutcheon Plate.
Mounting	Vanity/Counter Mount
Options	N/A

**INSTALLATION**

Unit is typically located adjacent to a flush mounted lavatory and installed through a 7/8" diameter [22 dia.] cut out (by others) in counter top. An adjustable threaded shank allows for installation in counter tops up to 3-1/2" [89] thick.

**WARRANTY**

One (1) Year from date of Invoice