



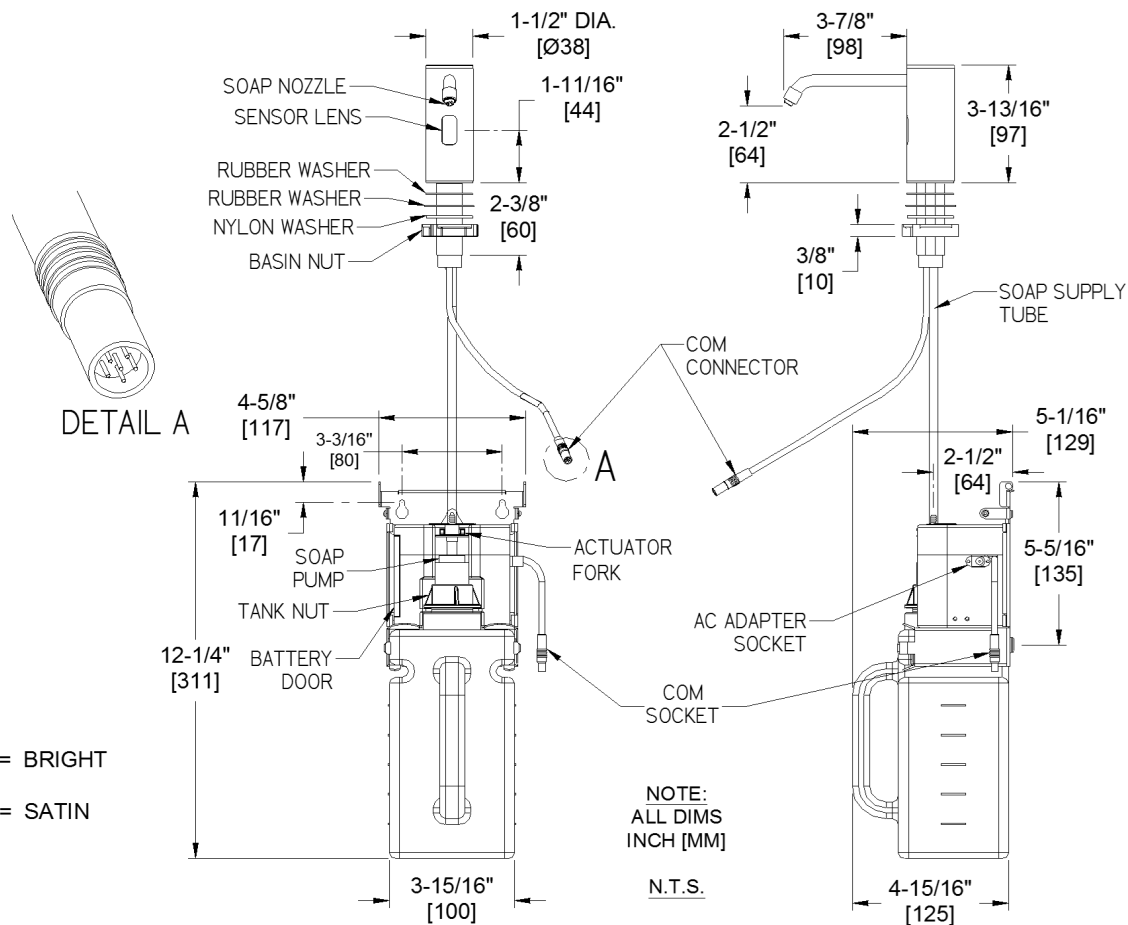
**AMERICAN SPECIALTIES, INC.**  
 441 Saw Mill River Road, Yonkers, NY 10701  
 (914) 476.9000 • (914) 476.0688  
 www.americanspecialties.com

**MODEL №: 0334**

**ISSUED: 2/2017**

**REVISED:**

**VANITY MOUNTED STAINLESS STEEL AUTOMATIC LIQUID SOAP DISPENSER**



- B= BRIGHT
- S= SATIN

**SPECIFICATION**

Vanity Mounted Stainless Steel Automatic Liquid Soap Dispenser shall hold and dispense soaps with a viscosity range of between 5 and 3000 mPa•s or cP (MilliPascal-sec or Centipoise) from supply tank in pump housing with a capacity of 1500 ml (50.7 oz). Dispenser spout body shall be type 304 stainless steel alloy 18-8 and all exposed stainless steel surfaces shall be satin finish or bright finish as chosen by suffix code (-S for satin or -B for bright). Dispenser shall be powered by four (4) AA-size (1.5V) batteries (not supplied) and shall operate automatically from IR sensor that shall activate soap dispensing when hands are placed in sensor zone. An optional AC adapter is available (order Model № 72-ACA separately). Sensor detection range shall be preset at 4-3/4" ± 1-1/2" [121 ± 38] and shall self-compensate for lighting conditions. An indicator LED shall provide status notification of battery condition, soap level and condition, and user sensor detection. Unit shall dispense a volume of .034 ~ .051 fl oz (1 ~ 1.5 ml) of liquid soap during each activation. Supply tank installed under vanity is clear with graduated markings to continuously provide soap level indication. An Owner's Manual (OM) and Mounting Template (MT) shall be provided with unit in carton.

**Vanity Mounted Stainless Steel Automatic Liquid Soap Dispenser shall be Model № 0334-\_\_\_{specify finish suffix code} of American Specialties, Inc., 441 Saw Mill River Road, Yonkers, New York 10701-4913**

**INSTALLATION**

Mount unit to counter top with washers and basin nut (supplied) into 1" diameter [Ø25.4] hole located in counter top per template or to suit site conditions. Install pump control module with supply tank under vanity as per MT provided. Installation and Operation Instructions (OM № 1701181548) and a mounting template (MT № 1701161327) are provided with unit in carton.

**OPERATION**

Liquid soap is automatically dispensed when hands are placed in sensor zone. LED indicator flashes once to indicate detection of object in sensor zone. Diagnostic constant or green or red LED flashes indicate battery and/or soap condition (see OM for full description). Soap dispenser will continue to feed properly until empty. Tank supply is replenished manually on a cycle determined by maintenance needs. See OM for complete maintenance and refilling instructions.