



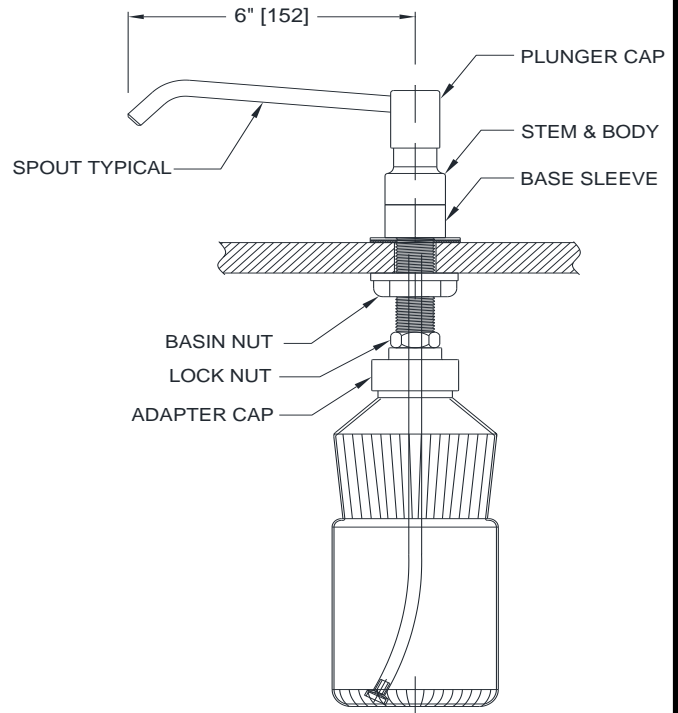
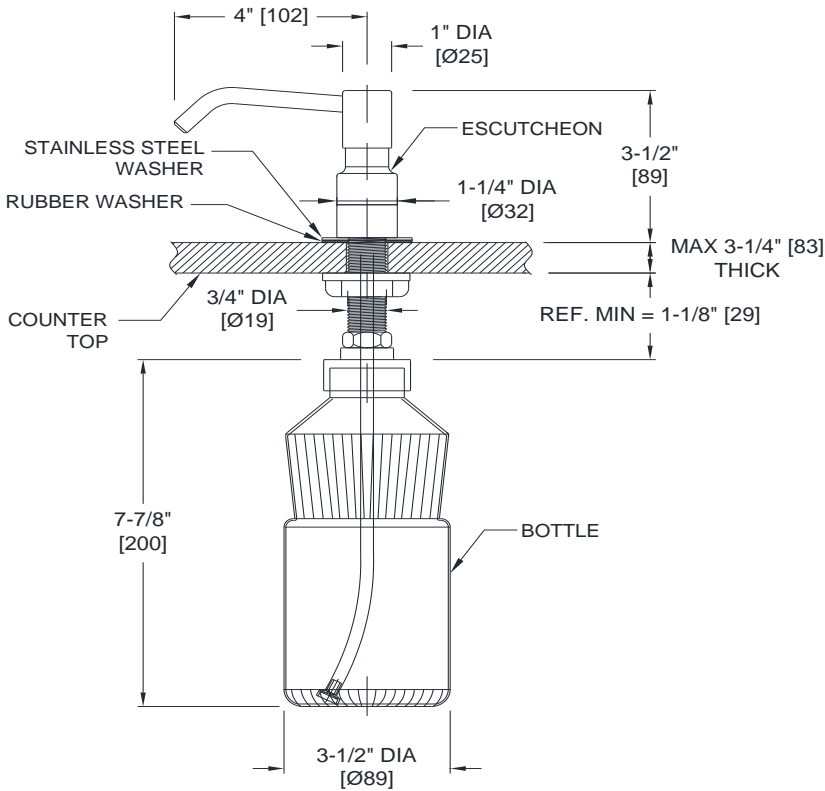
AMERICAN SPECIALTIES, INC.
 441 Saw Mill River Road, Yonkers, NY 10701
 (914) 476.9000 • (914) 476.0688
 www.americanspecialties.com

MODEL №: 0336

ISSUED: 14 JUN 2018

REVISED: 28 JAN 2020

VANITY MOUNTED MANUAL FOAM SOAP DISPENSER



SPECIFICATION

Vanity Mounted Manual Foam Soap Dispenser shall dispense 34 oz. (1L) of liquid soaps having a pH in range 7 ± 1.5 and viscosity in range 1-100 cP (mPa•s). Dispenser Plunger Cap, Stem & Body, Spout, Escutcheon and Base Sleeve shall be shiny bright finish stainless steel with rubber “duck bill” check valves and O-ring seals. Valve body, internal parts, basin nut, threaded shank shall be molded plastic. Spring, escutcheon washer, stem retainer collar and screw shall be stainless steel. Soap container shall be translucent, shatter-resistant HDPE. Valve operation shall comply with 2010 ADA Accessibility Standards by requiring no more than 5 lbs_f (22.2 Newtons) of pressure to actuate without grasping or twisting by operator.

Vanity Mounted Manual Foam Soap Dispenser shall be Model № 0336 or 0336-D of American Specialties, Inc., 441 Saw Mill River Road, Yonkers, New York 10701-4913

INSTALLATION

Unit is typically located adjacent to a flush mounted lavatory, through 7/8" Diameter [Ø22] cut out (by others) in counter top. The threaded shank allows for installation in counter tops up to 3-1/4" [83] thick.

OPERATION

Soap is manually dispensed by pushing down on the Plunger Cap. Dispenser is refilled by either unscrewing the Stem & Body to expose the internal fill opening or by removing the tank from under vanity. Soap will continue to feed properly until soap level is below top of intake bottom fitting. Soap supply is replenished manually on a schedule determined by maintenance needs.

OPTIONS

Specify options by adding suffix to Model № (e.g. 0336-D).

SUFFIX	DESCRIPTION
D	6" [152] long spout