



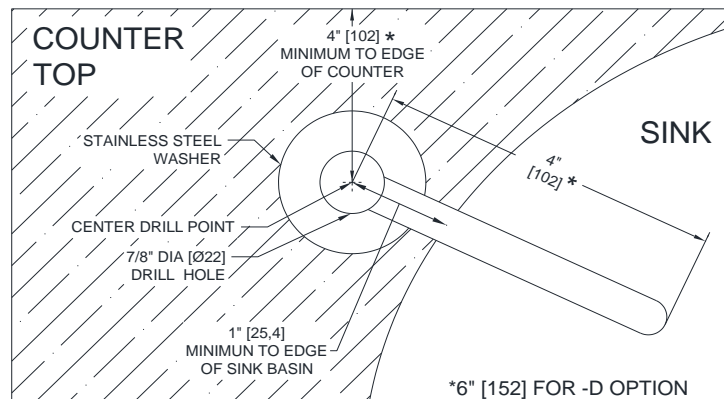
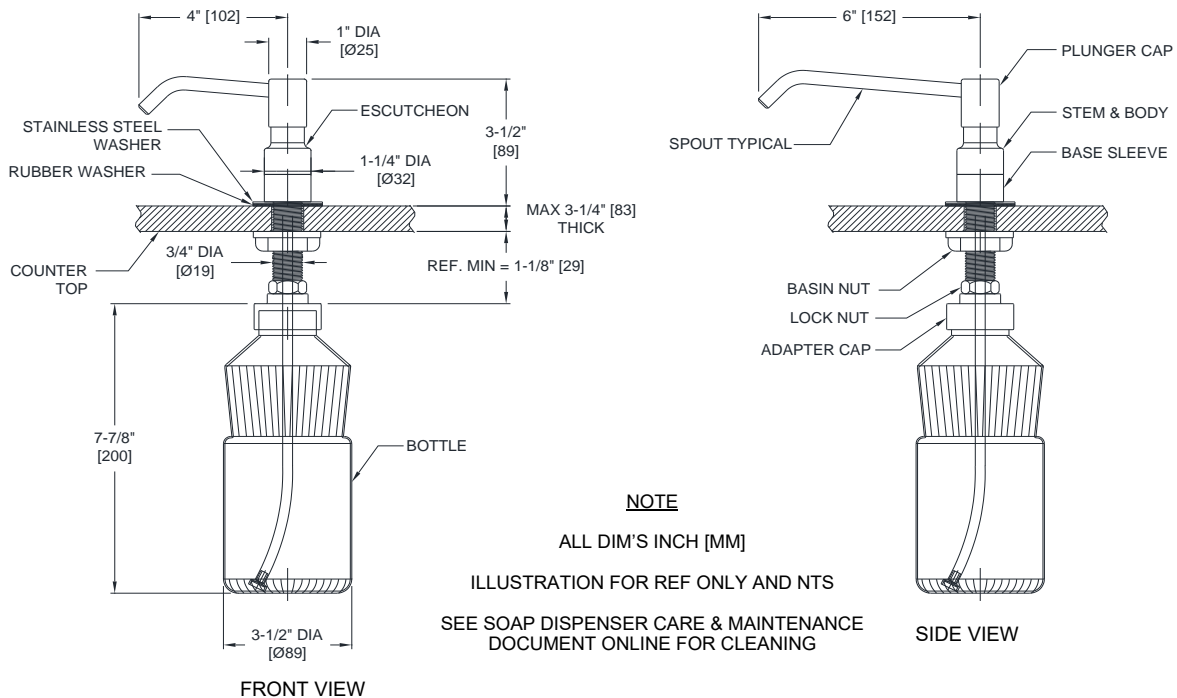
**AMERICAN SPECIALTIES, INC.**  
 441 Saw Mill River Road, Yonkers, NY 10701  
 (914) 476.9000 • (914) 476.0688  
 www.americanspecialties.com

**MODEL №:** 0336/0336-D

**ISSUED:** 16 MAR 2020

**REVISED:**

## INSTALLATION AND OPERATION INSTRUCTIONS



### INSTALLATION

Dispenser requires a 7/8" [22] diameter hole through the countertop. Provide clearance below the countertop for 4-1/2" [114] Diameter x 18" [457] container. Unscrew chrome plated escutcheon from threaded shank in a counterclockwise direction and remove the pump assembly. Slide rubber washer onto the threaded shank under the flange and insert shank into countertop. Install the steel washer and plastic wing nut to the threaded shank. Do not over tighten the wing nut. Install the plastic hex lock nut and the bottle on the threaded shank. Tighten the nut against the bottle neck to lock the bottle in place. Attach supply tube to the pump assembly and insert the pump assembly into the shank. Screw on chrome plated escutcheon in a clockwise direction. Hand tighten only with spanner provided.

### OPERATION

To fill unit with soap unscrew the escutcheon counterclockwise and remove the pump assembly from the shank. Pour soap into the tube opening. Do not over fill in order to leave room for the pump assembly. Insert the pump assembly into the tube opening and hand tighten the escutcheon in a clockwise direction. Lock seal the escutcheon with the spanner wrench provided. It may be necessary to hand prime the pump when first filled or when the pump has been completely emptied. This is done by pumping the unit several times while holding a finger over the spout opening on the return stroke (up stroke) only until the soap begins to discharge. This will recharge the internal pump mechanism. Note that spout has free rotation as an antivandalism feature. If fixed location is desired, slightly back out screw (item No.0332-09 on Parts List) and reassemble with screw head engaging slot in shank.