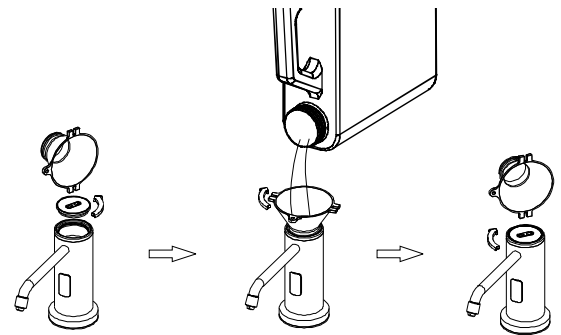




# TOP FILL WITH EASE

## FEATURES:

- **Anti-theft top opens with funnel that has built in key for neat and easy maintenance**
- **LED ring indicates low soap levels and incorrect soap**
- **Smart Sensor prevents messy overflowing by beeping and flashing LED ring when approaching maximum capacity**
- **AC Powered**
- **51 oz (1.5 L) tank capacity**



	0338
	0339

Soap dispenser maintenance is easier than ever thanks to ASI's built in Smart Sensor.

The 0338 and 0339 automatic soap dispensers are equipped with an LED ring (shown above in red for reference) that not only alerts maintenance staff of low soap levels, but also flashes and beeps when soap levels approach maximum capacity to prevent overflowing. This intelligent soap dispenser even turns off its sensor once refilled to allow for cleaning without unwanted activation and signals when the wrong soap has been used. Did we mention the anti-theft top opens with a funnel that has a built in key for even easier and neater maintenance?

American Specialties, Inc.  
441 Saw Mill River Rd, Yonkers, NY 10701  
Tel: 914.476.9000 Fax: 914.476.0688  
E-mail: [info@americanspecialties.com](mailto:info@americanspecialties.com)  
Web: [americanspecialties.com](http://americanspecialties.com)

**ASI**®  
**Group**  
*Integrated Building Products*