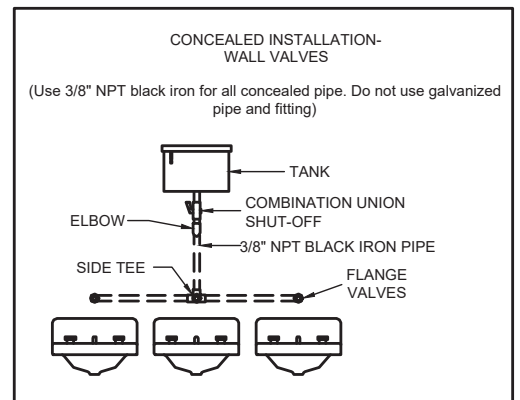
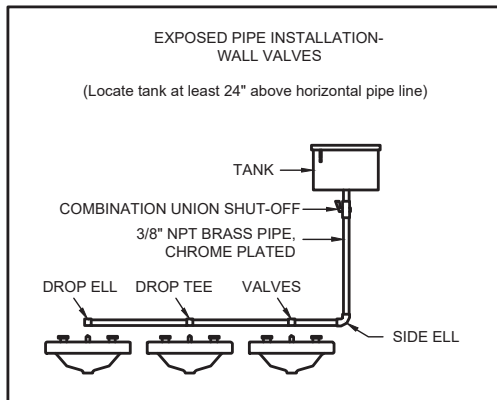
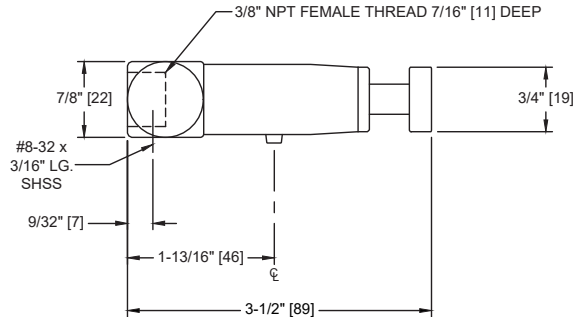


**Horizontal Liquid Soap Valve For Gravity Soap System**

Soap Dispensers

MasterFormat Section 10 28 13



**NOTE:**  
ALL DIM'S INCH [MM]  
ILLUSTRATION FOR REF ONLY AND NTS  
SEE SOAP DISPENSER CARE & MAINTENANCE  
DOCUMENT ONLINE FOR CLEANING

Scan for Information



**SUSTAINABILITY/LEED**

**PRODUCT OVERVIEW**

Chrome plated brass liquid soap valve. Female 3/8" NPT. Projects 3-1/2" [90]. Viscosity Range (mPa•s or cP): 30 – 2000. pH Range: 5.5 ~ 8.5. Soaps containing reportable salts, chlorides and alcohols should be avoided.

**KEY FEATURES & SPECIFICATIONS**

- PART - Valve for gravity systems
- Dispense liquid soaps
- Liquid Soap

**OPERATION & MAINTENANCE**

Soap is dispensed manually by depressing valve button until tank is empty.

**TECHNICAL INFORMATION / PRODUCT PROPERTIES**

Property	Value
Dimensions	Female 3/8" NPT. Projects 3-1/2" [90]
Construction	Chrome Plated Brass
Mounting	Replacement Part
Options	(V) - Vertical orientation, with short side spout.

**INSTALLATION**

Unit is typically used with gravity feed systems by others and is located over the lavatory basin by connecting to plumbing (by others) of in-wall or surface mounted distribution piping. Option V model is typically installed in shower rooms. Install valve into appropriate position by screwing onto pipe. Use TFE tape to seal threads.

**WARRANTY**

One (1) Year from date of Invoice