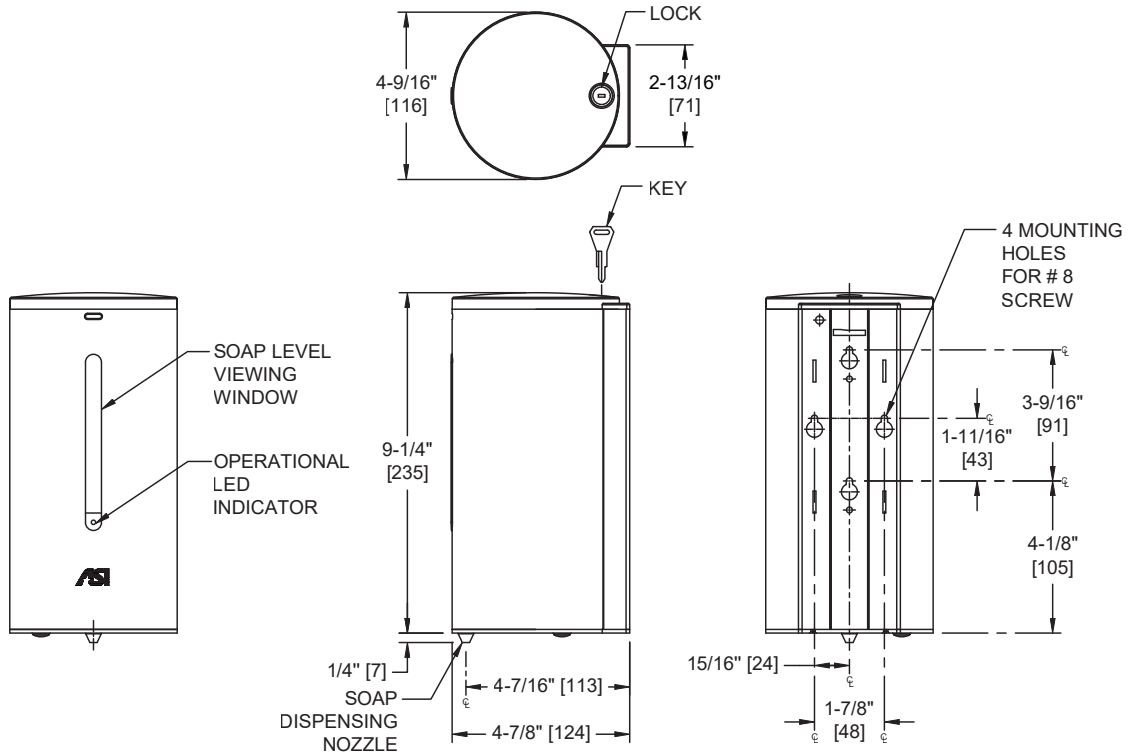


Soap Dispenser – Automatic – 35 oz. – Stainless Steel – Surface Mounted

Soap Dispensers

MasterFormat Section 10 28 13



NOTE:
ALL DIM'S INCH [MM]
ILLUSTRATION FOR REF ONLY AND NTS
SEE SOAP DISPENSER CARE & MAINTENANCE
DOCUMENT ONLINE FOR CLEANING

Scan for Information



SUSTAINABILITY/LEED

MR 4.1 (1) MR 6 (1) EQ 4.2 (1)
MR 4.2 (1) EQ 4.1 (1) EQ 4.4 (1)

PRODUCT OVERVIEW

Stainless steel soap dispenser in satin finish with proximity sensor. Powered by 6 AA-size batteries (not included) and has tamper-resistant viewing window, removable lid with special lock and key (supplied). Capacity: 35 fl. oz. (1 L). Soap Requirements: Proper usage of this dispenser requires, that only soap within the following range for viscosity and pH may be used. Viscosity Range (mPa•s or cP): 1 – 3500. pH Range: 5.5 ~ 8.5

KEY FEATURES & SPECIFICATIONS

- "Touch Free" dispensing for better hygiene
- Type 304 Stainless Steel - Satin Finish
- Surface Mounted
- Automatic - Battery Operated - "No Touch"
- Liquid Soap - 35 oz. (1.0 L) Capacity

OPERATION & MAINTENANCE

Soap is automatically dispensed when hands are placed in sensor zone. Pumping duration is entered by owner at setup. Unit is reloaded by unlocking and removing lid at top with special key (supplied) and removing and refilling internal reservoir. Dispenser will continue to feed dispense product properly until empty. Tank supply is replenished manually on cycle determined by maintenance needs See OM&IG for more details of dispense volume setting and other functions.

TECHNICAL INFORMATION / PRODUCT PROPERTIES

Property	Value
Dimensions	4-9/16" x 9-1/4" x 4-7/8" [116 x 235 x 124]
Construction	Type 304 Stainless Steel - Satin Finish; Black ABS
Mounting	Surface Mounted
Options	N/A

INSTALLATION

Surface mount unit to wall or partition with two (2) #8 pan head self-threading pan head or flat head screws (supplied). Secure unit by a third screw concealed inside locking removable lid. For compliance with 2010 ADA Accessibility Standards install unit so that bottom of dispenser is 48" [1219] Maximum Above Finished Floor (AFF). For general utility install unit 42" [1067] to 46" [1168] AFF and 10" minimum above countertop. A Mounting Template (MT) is provided in carton with Owner's Manual and Installation Guide (OM&IG) with each unit.

WARRANTY

One (1) Year from date of invoice