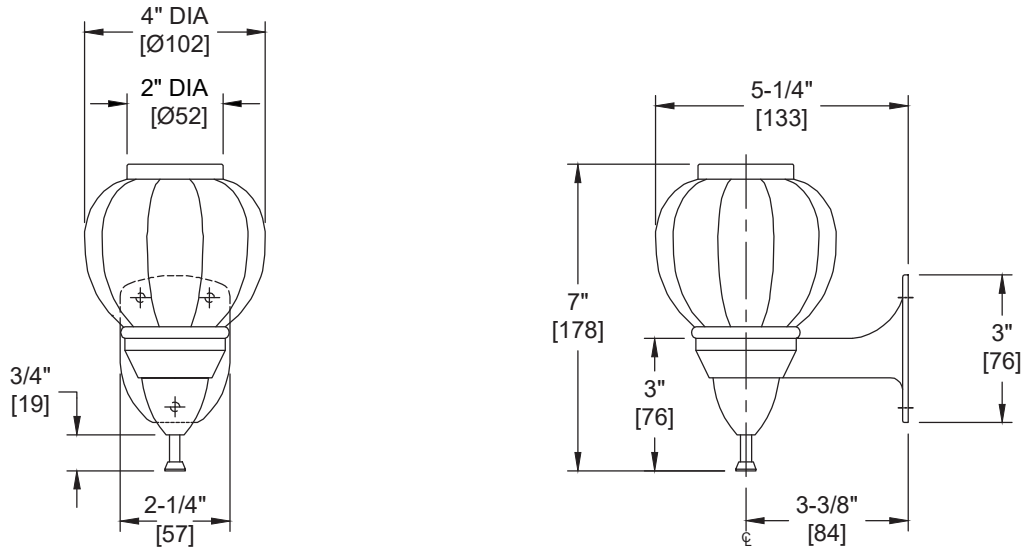


Soap Dispenser (Liquid, Push-up-type) 16 oz. – Surface Mounted

Soap Dispensers

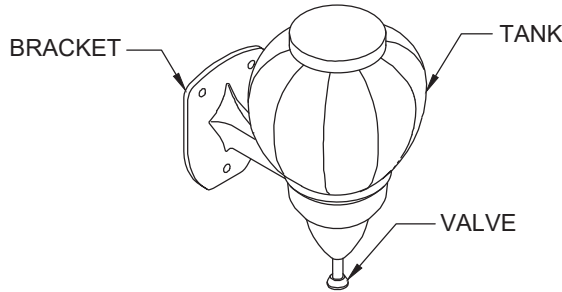
MasterFormat Section 10 28 13



Scan for Information



SUSTAINABILITY/LEED



NOTE:
ALL DIM'S INCH [MM]
ILLUSTRATION FOR REF ONLY AND NTS
SEE SOAP DISPENSER CARE & MAINTENANCE
DOCUMENT ONLINE FOR CLEANING

PRODUCT OVERVIEW

Dispenses soap, detergents, and thin lotions. Bracket and valve chrome plated ABS. A measured amount of soap is manually dispensed by pushing-up against valve. Unit can be reloaded by unscrewing base from bracket collar, inverting unit, and unscrewing soap container. Soap will continue to feed properly until empty. Tank supply is replenished manually. Soap level is continuously visible. Capacity of 16 ounce (0.5 L) white polyethylene globe. Soap Requirements: Proper usage of this dispenser requires, that only soap within the following range for viscosity and pH may be used. Viscosity Range (mPa•s or cP): 150 – 3000, pH Range: 5.5 ~ 8.5

KEY FEATURES & SPECIFICATIONS

- Push Type - Liquid Soap Dispenser
- Surface Mounted
- Manual Push-Up Dispenser
- Liquid Soap - 16 oz. (0.5 L) Capacity

OPERATION & MAINTENANCE

A measured amount of soap is manually dispensed by pushing-up against valve. Refill unit by unscrewing base from bracket collar, inverting unit and unscrewing soap container. Soap will continue to feed properly until empty. Tank supply is replenished manually on cycle determined by maintenance needs. Soap level is continuously visible.

TECHNICAL INFORMATION / PRODUCT PROPERTIES

Property	Value
Dimensions	4" x 7" x 5-1/4" [102 x 178 x 133]
Construction	Chrome Plated ABS
Mounting	Surface Mounted
Options	N/A

INSTALLATION

Secure unit to wall or partition using three (3) #10 self-threading pan head screws (supplied). For compliance with 2010 ADA Accessibility Standards install unit so that bottom of unit is 48" [1219] maximum Above Finished Floor (AFF). For general utility install unit 42" [1066] AFF or 6" [152] minimum above counter top.

WARRANTY

One (1) Year from date of invoice