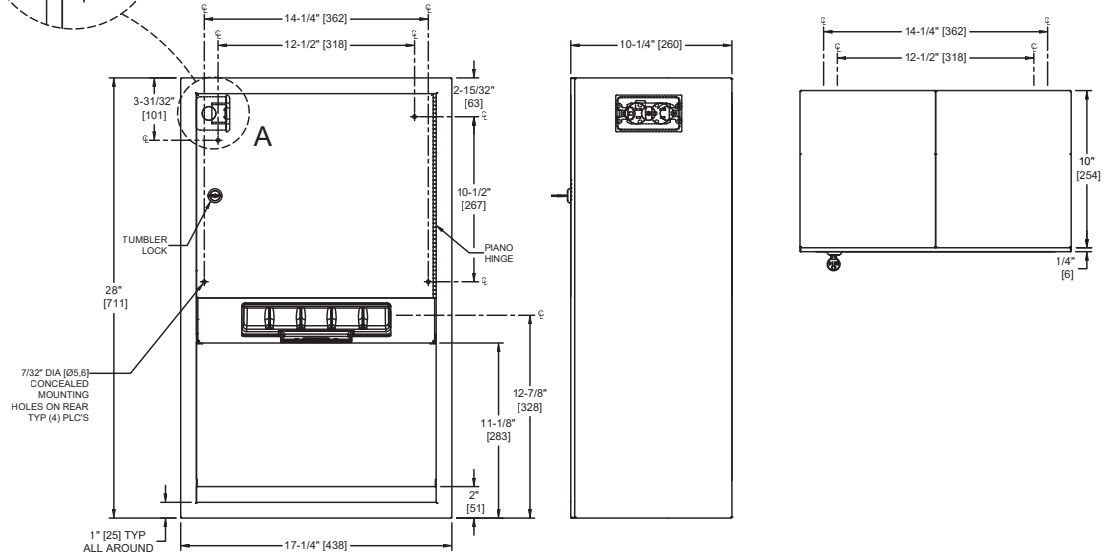
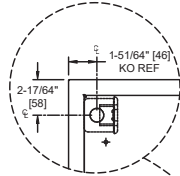


Traditional™ - Auto Paper Towel Dispenser - Roll - (110-240V) - Surface Mounted

Paper Towel Dispensers

Traditional

MasterFormat Section 10 28 13



Scan for Information



SUSTAINABILITY/LEED

MR 4.1 (1) MR 6 (1) EQ 4.2 (1)
MR 4.2 (1) EQ 4.1 (1) EQ 4.4 (1)

NOTE:
ALL DIM'S INCH [MM]
ILLUSTRATION FOR REF ONLY AND NTS
FOR CLEANING INSTRUCTIONS SEE APPROPRIATE SECTIONS IN
PRODUCT CARE & MAINTENANCE BULLETIN (PCM) ON ASI WEBSITE

PRODUCT OVERVIEW

Proximity sensing no-touch unit dispenses a pre-set length per cycle from 8" [205] or 9" [230] wide standard towel roll up to 800 ft. (244m) long and has stub roll capability for continuous dispensing. Cabinet and frame shall be fabricated of 22 & 20 gage type 304 stainless steel alloy 18-8, and towel dispenser door shall be 18 gage same grade. Powered by C-UL-US and CE approved internal low-voltage adapter (supplied) using 110-240VAC, 50/60 Hz and providing output of 6VDC @ 2A and operates automatically to activate towel dispensing when hands are placed in sensor zone.

KEY FEATURES & SPECIFICATIONS

- "Touch Free" dispensing for better hygiene
- Owner controlled adjustable paper feed length
- Type 304 Stainless Steel - Satin Finish
- Surface Mounted - w/ -9 Collar
- Automatic - AC - 110 - 240V - "No Touch"
- Roll Towels - up to 800 ft. Length

OPERATION & MAINTENANCE

Towels are dispensed one length at a time automatically when hands are placed in sensor zone until supply is depleted. Owner predetermines length of towel dispensed by making selections on three (3) three-position switches for length, delay, and economy. Unit may be reloaded with a full roll to automatically start when finished with an existing partial roll and will continue to feed properly when reloaded with a full roll and partial roll is transferred to stub roll position. Refill dispenser by unlocking door and replacing towel roll for an empty or partially empty unit. Dispenser supply is replenished manually on cycle determined by maintenance needs. LED indicates sensing and operation. Locking door prevents unauthorized access and roll removal.

TECHNICAL INFORMATION / PRODUCT PROPERTIES

Property	Value
Dimensions	17-1/4" [438] W x 28" [711] H x 10" [254]
Construction	Type 304 Stainless Steel - Satin Finish Heavy duty stainless steel piano hinge
Power	110 ~ 240 VAC, 50/60 Hz for AC Adapter (provided, Model No 72-ACA) with output of 6 VDC @ 2A
Operation	Automatic - AC - 110 - 240V - "No Touch"
Mounting	Surface Mounted
Capacity	Roll Towels - up to 800 ft. Length

INSTALLATION

Surface mount unit in wall recess using #10 self-threading screws (by others) through concealed mounting holes provided. Note that top of RWO is 7/8" [22] below top of unit. Power is supplied by code approved cable or conduit (by others) to RWO at any one of three [3] available locations indicated on diagram and terminated in utility duplex outlet box (provided) inside cabinet. Power required is 110-240VAC, 50/60 Hz protected by a 15A circuit breaker (by others) for low voltage adapter that draws 1/4 Amp. Power adapter for dispenser unit is supplied cabled and plugged into dispenser and is plugged into duplex outlet. For compliance with 2010 ADA Accessibility Standards, 2015 ABA Standards and ICC/ANSI A-117.1 install unit so that top of towel dispenser opening is 48" [1219] maximum Above Finished Floor (AFF). Be advised that local codes may require mounting so that top of towel dispenser opening is 40" [1016] maximum AFF (e.g. California UBC/Title 24). For general utility install unit with top of towel dispenser opening between 49" [1245] and 56" [1422] AFF.

WARRANTY

One (1) Year from date of Invoice