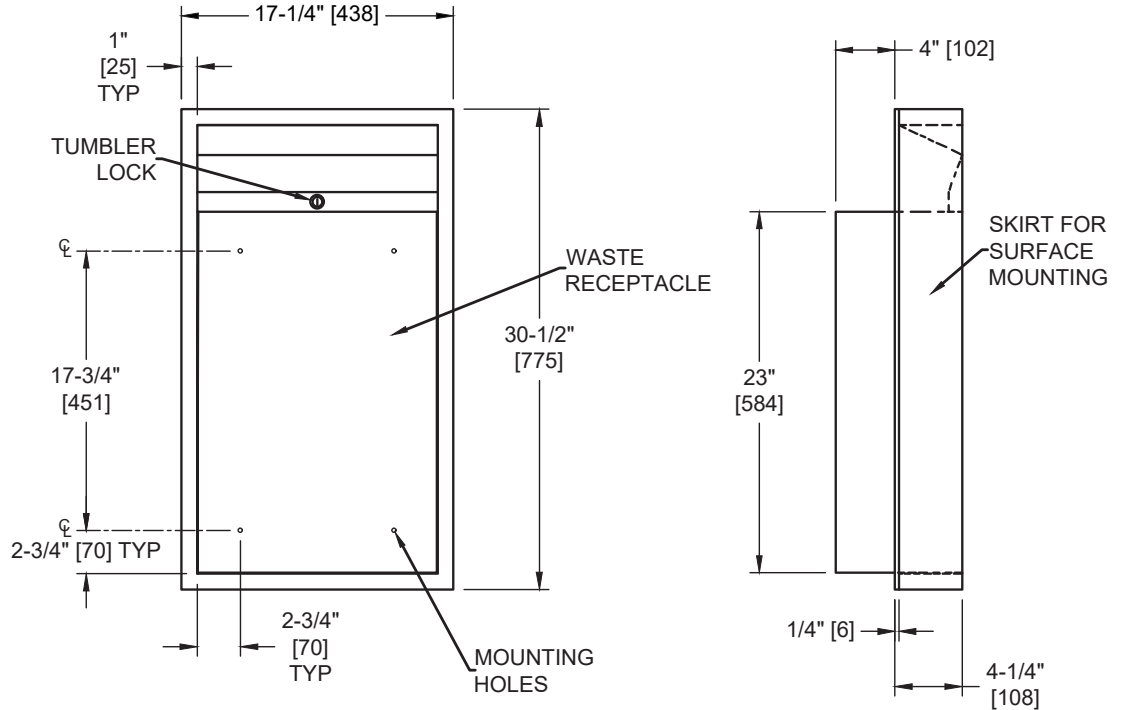


**Waste Receptacle (8" proj., 4" rec.) – Surface Mounted**

Waste Receptacles

MasterFormat Section 10 28 13



Scan for Information



**SUSTAINABILITY/LEED**

MR 4.1 (1) MR 6 (1) EQ 4.2 (1)  
MR 4.2 (1) EQ 4.1 (1) EQ 4.4 (1)

**NOTE:**  
ALL DIM'S INCH [MM]  
ILLUSTRATION FOR REF ONLY AND NTS

**PRODUCT OVERVIEW**

Surface Mounted Waste Receptacle has a capacity of 12 gal (46 liters). Frame, waste receptacle and cabinet are fabricated of 22 gauge stainless steel alloy 18-8, type 304. Waste receptacle has hemmed edges for safety and internal hooks for hanging a reusable vinyl bag (optional, by others). A tumbler lock keyed alike to other ASI washroom equipment shall retain waste receptacle. Container locks into cabinet, removable for servicing.

**KEY FEATURES & SPECIFICATIONS**

- Waste Receptacle has hemmed edges for safety
- Type 304 Stainless Steel - Satin Finish
- Surface Mounted - 8-1/4" [210] Projection Standard
- 12.0 Gal. (45.4 L) Waste Capacity Standard

**OPERATION & MAINTENANCE**

Waste container is emptied manually on cycle determined by maintenance requirements. Keyed tumbler lock prevents unauthorized removal.

**TECHNICAL INFORMATION / PRODUCT PROPERTIES**

Property	Value
Dimensions	17-1/4" [438] W x 30-1/2" [775] H x 8" [203] D
Construction	Type 304 Stainless Steel - Satin Finish
Mounting	Surface Mounted - 8-1/4" [210] Projection Standard
Capacity	12.0 Gal. (45.4 L) Waste Capacity Standard

**INSTALLATION**

Unit is surface mounted to wall using #10 self-threading screws (by others) through concealed mounting holes provided. For compliance with 2010 ADA Accessibility Standards, install unit with top edge no higher than 48" [1219] Above Finished Floor (AFF). SM collar is installed on cabinet prior to mounting on wall following procedure described on SM Collar Data Sheet.

**OPTIONS**

N/A

**WARRANTY**

One (1) Year from date of Invoice