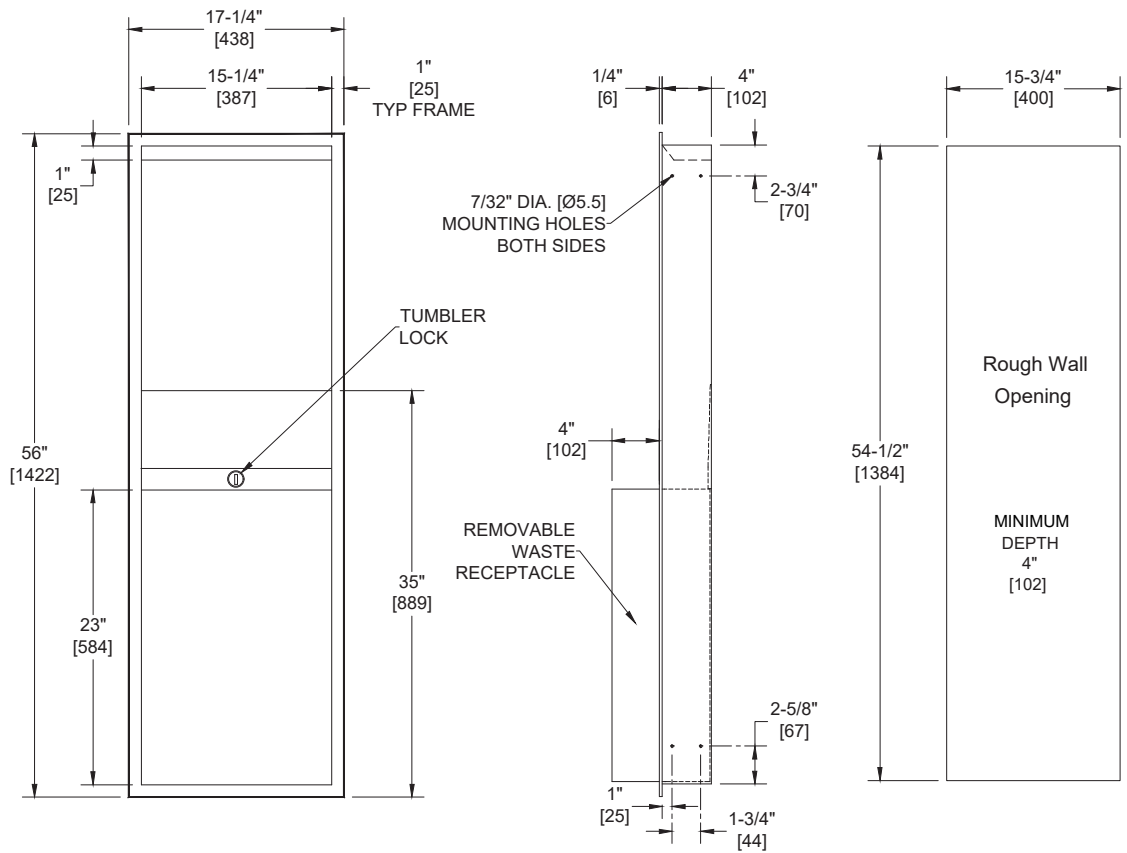


**Open Cabinet & Waste Receptacle – Recessed**

Paper Towel Combination Units

Traditional

MasterFormat Section 10 28 13



Scan for Information



**SUSTAINABILITY/LEED**

MR 4.1 (1) EQ 4.1 (1)  
MR 4.2 (1) EQ 4.2 (1)  
MR 6 (1) EQ 4.4 (1)

**NOTE:**  
ALL DIM'S INCH [MM]  
ILLUSTRATION FOR REF ONLY AND NTS  
FOR CLEANING INSTRUCTIONS SEE APPROPRIATE SECTIONS IN  
PRODUCT CARE & MAINTENANCE BULLETIN (PCM) ON ASI WEBSITE

**PRODUCT OVERVIEW**

Recessed Open Cabinet and Waste Receptacle shall have 18 gauge back in top section to receive (A)RPTD unit (by others) and shall have a waste capacity of 12 gallons (46 L). Locking compartment and receptacle retainer prevents unauthorized access or removal.

**KEY FEATURES & SPECIFICATIONS**

- 22 gauge Type 304 Stainless Steel - Satin Finish
- Recessed

**OPERATION & MAINTENANCE**

Top section back has no holes and owner prepares mounting for (A)RPTD provided by others. Waste container is emptied manually on cycle determined by maintenance needs. Locking receptacle retainer prevents unauthorized access or removal.

**TECHNICAL INFORMATION / PRODUCT PROPERTIES**

Property	Value
Dimensions	17-1/4" [438] W x 56" [1422] H x 8-1/4" [210] D
Construction	Type 304 Stainless Steel - Satin Finish
Mounting	Recessed
Capacity	

**INSTALLATION**

Mount unit in wall recess using four (4) #10 self-threading screws (by others) through concealed mounting holes provided. Note that top of Rough Wall Opening (RWO) is 3/4" [19] below top of unit. For compliance with 2010 ADA Accessibility Standards install unit with centerline of towel outlet 48" [1219] maximum Above Finish Floor (AFF).

Rough Wall Opening (RWO) required is 15-3/4 [400] W x 54-1/2" [1384] H x 4" [102] D minimum

**WARRANTY**

One (1) Year from date of Invoice