



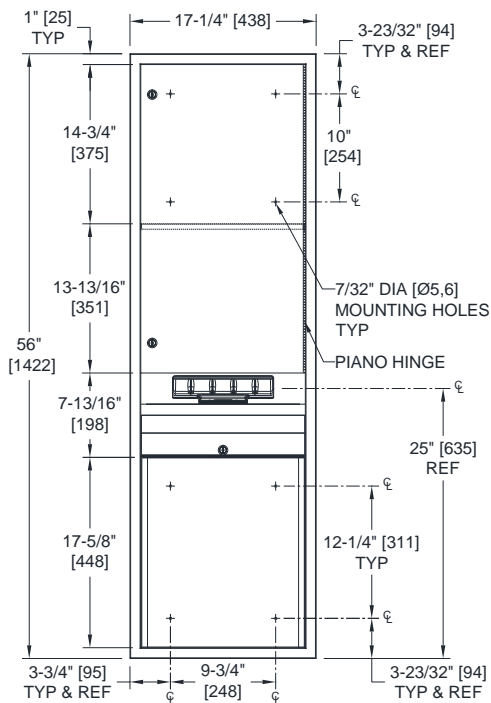
**AMERICAN SPECIALTIES, INC.**  
 441 Saw Mill River Road, Yonkers, NY 10701  
 (914) 476.9000 • (914) 476.0688  
 www.americanspecialties.com

**MODEL №: 046921A-9**

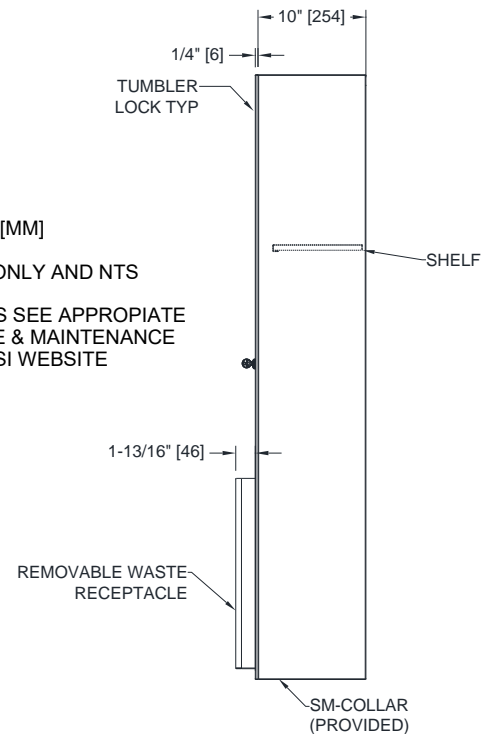
**ISSUED: FEB 2007**

**REVISED: 27 JUL 2021**

**SURFACE MOUNTED AUTOMATIC ROLL PAPER TOWEL DISPENSER WITH WASTE RECEPTACLE AND SHELF**



**FRONT VIEW**



**SIDE VIEW**

**NOTE**

ALL DIM'S INCH [MM]  
 ILLUSTRATION FOR REF ONLY AND NTS  
 FOR CLEANING INSTRUCTIONS SEE APPROPRIATE  
 SECTIONS IN PRODUCT CARE & MAINTENANCE  
 BULLETIN (PCM) ON ASI WEBSITE

**SPECIFICATION**

Surface Mounted Automatic Roll Paper Towel Dispenser With Waste Receptacle and Shelf shall hold and dispense one 8" wide [Ø203] x 8" Dia. [Ø203] standard towel roll up to 800 ft. (244m) long and one 8" wide [203] stub roll up to 4" Dia. [Ø102] and shall have a waste capacity of 12 gallons (45.4 L). Automatic Touchless Roll Towel Dispenser shall be powered by four (4) D-size batteries (not supplied) and operate automatically to activate towel dispensing when hands are placed in sensor zone from 1/2" [13] below sensor to 4-1/2" [114] below sensor. At each activation unit shall feed out a length of towel selected by owner by setting length, delay and paper saver switches. Unit shall have an internal towel cut-off bar. Cabinet, waste container and frame shall be 22 gage type 304 stainless steel alloy 18-8. Towel dispenser door shall be 18 gage same grade. All exposed surfaces shall have satin finish protected by PVC plastic film easily removed after installation. Door shall be attached to cabinet at side with a full-length 3/16" Dia. [Ø4,8] stainless steel multi-staked piano hinge and shall be held closed with tumbler locks keyed alike to other ASI washroom equipment. Waste container shall have hemmed edges for safety and shall be retained by a tumbler lock keyed alike. Face trim shall be 1" [25] wide formed from one piece with no miters, welding or open seams and have 1/4" [6] square return to SM-collar. Structural assembly of all components shall be of welded construction. Cabinet shall have no exposed fastening devices or spot-welded seams.

**Surface Mounted Automatic Roll Paper Towel Dispenser With Waste Receptacle and Shelf shall be Model № 046921A-9 as manufactured by American Specialties, Inc., 441 Saw Mill River Road, Yonkers, NY 10701-4913**

**INSTALLATION**

Mount unit on wall using № 10 self-threading pan head or flat head screws (by others) through concealed mounting holes provided. For compliance with ANSI A-117.1, 2015 ABA Standards and 2010 ADA Accessibility Standards install unit so that top edge of towel dispenser opening is 48" [1219] Maximum Above Finished floor (Max AFF) only if clear floor reach access is provided. For general utility install unit with top of towel dispenser opening between 49" [1245] and 56" [1422] AFF.

**OPERATION**

Towels are dispensed one length at a time automatically when hands are placed in sensor zone until supply is depleted. Owner predetermines length of towel dispensed by making selections on three (3) three (3)-position switches for length, delay, and economy. Unit may be reloaded with a full roll to automatically start when finished with an existing partial roll and will continue to feed properly when reloaded with a full roll and partial roll is transferred to stub roll position. Refill dispenser by unlocking door and replacing towel roll for an empty or partially empty unit. Locking door and receptacle retainer prevents unauthorized access and removal. Dispenser supply is replenished, batteries are replaced and waste container is emptied manually on cycles determined by maintenance needs.