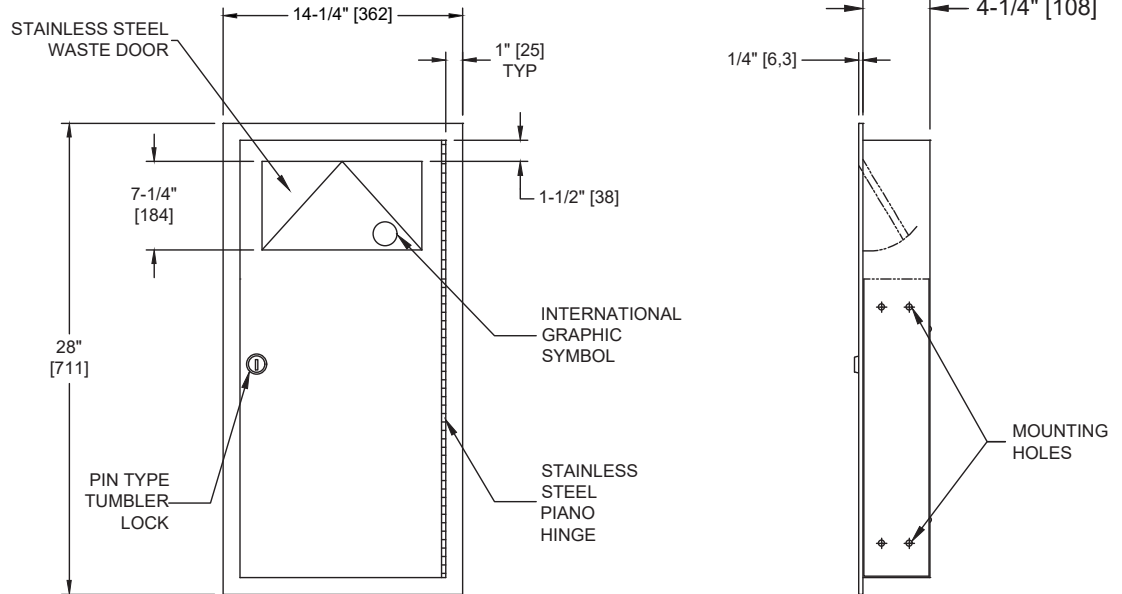


Waste Receptacle – Recessed – 3 gal.

Waste Receptacles

Traditional

MasterFormat Section 10 28 13



Scan for Information



SUSTAINABILITY/LEED

MR 4.1 (1) MR 6 (1) EQ 4.2 (1)
MR 4.2 (1) EQ 4.1 (1) EQ 4.4 (1)

NOTE:
ALL DIM'S INCH [MM]
ILLUSTRATION FOR REF ONLY AND NTS

PRODUCT OVERVIEW

Recessed waste receptacle with self-closing panel covers the receptacle opening, removable 3.1 gal. (11.6 L) stainless steel waste receptacle. Users push door to deposit waste material. Push door is self-closing. Maintenance schedule determines waste removal cycle. Unit is emptied by unlocking door and removing waste container.

KEY FEATURES & SPECIFICATIONS

- Self Closing panel
- Type 304 Stainless Steel - Satin Finish
- 3/16" (5mm) dia. Heavy-duty, Multi-Staked Stainless Steel Piano Hinge
- Recessed
- 3.0 Gal. (11.4 L) Waste Capacity

OPERATION & MAINTENANCE

Users push door to deposit waste material. Push door is self-closing. Maintenance schedule determines waste removal cycle. Unit is emptied by unlocking door and removing waste container.

TECHNICAL INFORMATION / PRODUCT PROPERTIES

Property	Value
Dimensions	14-1/4" [362] W x 28" [711] H x 4-1/2" [114] D
Construction	Type 304 Stainless Steel - Satin Finish 3/16" diameter [Ø5] Heavy-duty, Multi-Staked Stainless Steel Piano Hinge
Mounting	Recessed
Capacity	3.0 Gal. (11.4 L) Waste Capacity

INSTALLATION

Mount unit in wall recess through concealed mounting holes with #10 self-threading screws (by others). For compliance with 2010 ADA Accessibility Standards, install unit with top edge no higher than 48" [1219] Above Finished Floor (AFF). For general utility install unit with bottom of unit 20" [510] AFF.

Rough Wall Opening (RWO) required is 12-3/4" [324] W x 26-1/2" [673] H x 4" [102] D minimum

OPTIONS

N/A

WARRANTY

One (1) Year from date of Invoice