



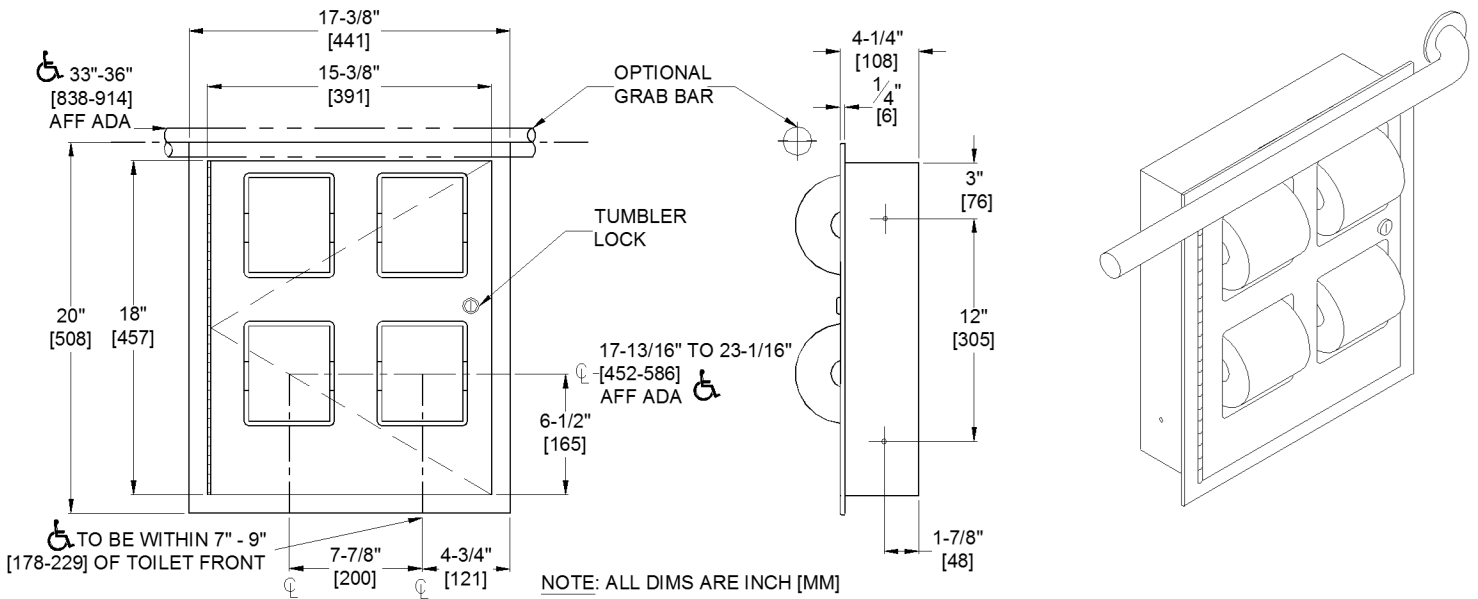
AMERICAN SPECIALTIES, INC.
 441 Saw Mill River Road, Yonkers, NY 10701
 (914) 476.9000 • (914) 476.0688
 www.americanspecialties.com

MODEL №: 048234

ISSUED: 07/2015

REVISED:

RECESSED TOILET PAPER DISPENSER



SPECIFICATION

Recessed Toilet Tissue Dispenser shall hold and dispense four (4) rolls standard or 1800 sheet 4-1/2" x 5-1/4" diameter [114 x Ø133] toilet paper. Toilet paper dispenser door shall be 18 gauge type 304 stainless steel alloy 18-8. Face frame and cabinet shall be 22 gauge. All exposed surfaces shall have satin finish and be protected by PVC film easily removed after installation. Door shall be attached to cabinet at side with a full-length 3/16" diameter [Ø5] stainless steel multi-staked piano hinge and shall be held closed with a tumbler lock keyed alike to other ASI washroom equipment. Face trim shall be 1" [25] wide formed from one piece with no miters, welding or open seams and have 1/4" [6] square return to face of wall. Structural assembly of all components shall be of welded construction. Cabinet shall receive (by others) theft and vandal resistant rollers for coreless toilet paper (by others).

Recessed Toilet Paper Dispenser (for use with grab bar) shall be Model № 048234 as manufactured by American Specialties, Inc., 441 Saw Mill River Road, Yonkers, New York 10701-4913

INSTALLATION

Mount unit in wall recess using four (4) № 10 self-tapping screws (by others) through concealed mounting holes provided. Note that top of RWO (rough wall opening) is 13/16" [21] below top of unit. For 2010 ADA Accessibility Standards compliance the centerline of either bottom TP Dispenser should be located within 7" to 9" [178-227] of the front of the toilet and the TP Dispenser opening bottom should be above 15" [381] minimum AFF. An optional GB (not provided) at 33"-36" [838-914] AFF to the top of the bar must allow the service door top to clear the bottom of the bar approximately 1/4" [6] when opening the door.

RWO required: 15-3/4" W x 18-3/8" H x 4" D [400 x 467 x 102]

OPERATION

Toilet paper rolls feed freely until depleted and level of supply is constantly visible for low-level warning. Toilet paper rolls are serviced by unlocking and opening door. Locked door prevents inadvertent and unauthorized removal. Toilet paper spindles are carried in vandal resistant sub-frame accessible when door is opened.