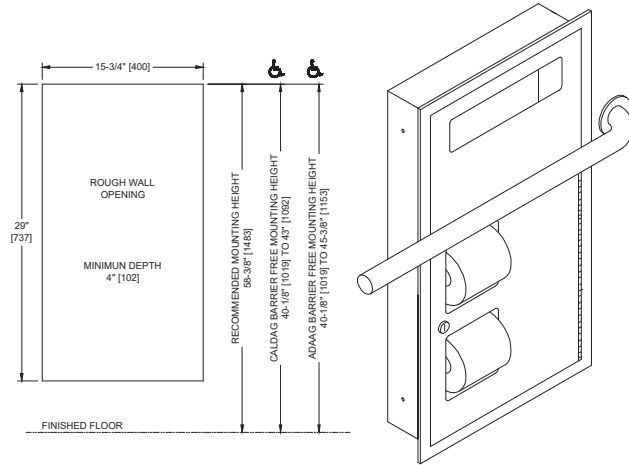
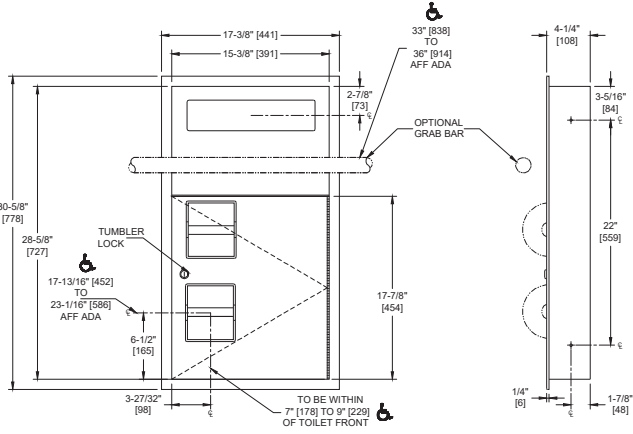


Toilet Seat Cover & Toilet Tissue Dispenser – Recessed - Reverse

Combination Units

Traditional

MasterFormat Section 10 28 13



Scan for Information



SUSTAINABILITY/LEED

MR 4.1 (1) MR 6 (1) EQ 4.2 (1)
MR 4.2 (1) EQ 4.1 (1) EQ 4.4 (1)

NOTE:
ALL DIM'S INCH [MM]
ILLUSTRATION FOR REF ONLY AND NTS

PRODUCT OVERVIEW

Toilet paper dispenser and sanitary napkin disposal are on opposite side as 0485. Holds and dispenses 1000 paper seat covers and two rolls standard or 1800 sheet 4-1/2" [114] x 5-1/4" [133] toilet paper. Toilet paper dispenser/disposal door held closed with a tumbler lock. Cabinet includes theft and vandal resistant rollers molded of high-impact resistant plastic with integral molded-in stainless steel endpins and two (2) rollers [p/n R- 004] (supplied). Dispenser door shall be 18 gauge type 304 stainless steel satin finish, face frame & Cabinet shall be 22 gauge same material. Cabinet door attached w/ multi staked piano hinge and tumbler lock.

KEY FEATURES & SPECIFICATIONS

- Combination Unit.
- Type 304 Stainless Steel - Satin Finish.
- Recessed.
- 1.3 Gal. (4.9 L) Removable Waste Can
- 1,000 seat covers / 4 Rolls of Toilet Tissues

OPERATION & MAINTENANCE

Seat covers are self-feeding until supply is depleted. Toilet paper rolls feed freely until depleted and level of supply is constantly visible for low-level warning. Toilet paper rolls and paper seat covers are serviced by unlocking and opening door. Locked door prevents unauthorized removal. Toilet paper spindles are carried in vandal resistant subframe accessible when door is opened.

TECHNICAL INFORMATION / PRODUCT PROPERTIES

Property	Value
Dimensions	17-3/8" [441] W x 4-1/4" [108] x 30-5/8" [778] H
Construction	Type 304 Stainless Steel - Satin Finish
Mounting	Recessed
Capacity	1,000 seat covers 4 Rolls of Toilet Tissues 1.3 Gal. (4.9 L) Removable Waste Can

INSTALLATION

Mount unit in wall recess using four (4) #10 self-threading screws (by others) through concealed mounting holes provided. Note that top of Rough Wall Opening (RWO) is 13/16" [21] below top of unit. For 2010 ADA Accessibility Standards compliance the centerline of the TP Dispenser should be located within 7" [178] to 9" [229] of the front of the toilet and the TP Dispenser opening bottom should be 15" [381] minimum Above Finished Floor (AFF) while the Seat Cover Dispenser opening centerline should be no higher than 48" [1219] maximum AFF. An optional GB (not provided) at 33" [838] to 36" [914] AFF to the top of the bar should allow the service door top to clear the bottom of the bar when opening the door.

Rough Wall Opening (RWO) required is 15-3/4" [400] W x 29" [737] H x 4" [102] D minimum

WARRANTY

One (1) Year from date of Invoice