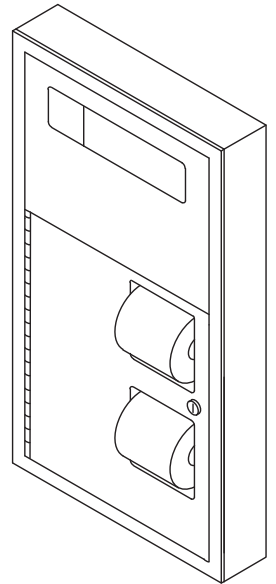
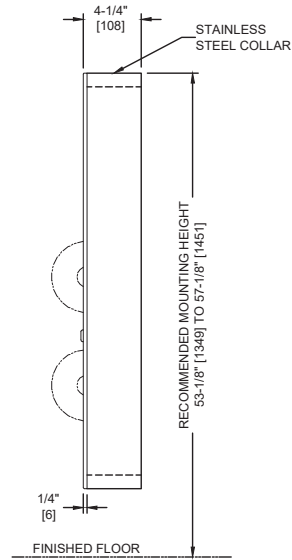
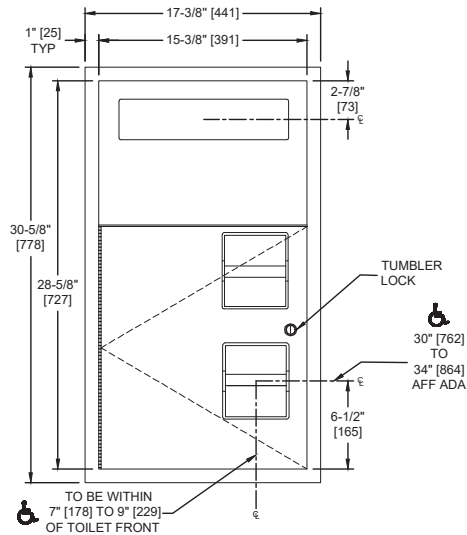


**Toilet Seat Cover & Toilet Tissue Dispensers w/ Collar for Surface Mounting**

Combination Units

Traditional

MasterFormat Section 10 28 13



Scan for Information



**SUSTAINABILITY/LEED**

MR 4.1 (1) MR 6 (1) EQ 4.2 (1)  
MR 4.2 (1) EQ 4.1 (1) EQ 4.4 (1)

**NOTE:**  
ALL DIM'S INCH [MM]  
ILLUSTRATION FOR REF ONLY AND NTS

**PRODUCT OVERVIEW**

Holds and dispenses 1000 paper seat covers and two (2) rolls standard or 1800 sheet 4-1/2" [114] x 5-1/4" [133] toilet paper. Includes stainless steel collar for surface mounting. Toilet paper dispenser door is held closed with a tumbler lock. Cabinet includes theft and vandal resistant rollers molded of high-impact resistant plastic with integral molded-in stainless steel endpins and two (2) rollers [p/n R-004] (supplied). Dispenser door shall be 18 gauge type 304 stainless steel satin finish, face frame & Cabinet shall be 22 gauge same material and mounting collar shall be 20 gauge same material. Cabinet door attached w/ multi staked piano hinge and tumbler lock.

**KEY FEATURES & SPECIFICATIONS**

- Combination Unit.
- Type 304 Stainless Steel - Satin Finish.
- Surface Mounted.
- 1,000 seat covers / 4 Rolls of Toilet Tissues.

***OPERATION & MAINTENANCE***

Seat covers are self-feeding until supply is depleted. Toilet paper rolls feed freely until depleted and level of supply is constantly visible for low-level warning. Toilet paper rolls and paper seat covers are serviced by unlocking and opening door. Locked door prevents inadvertent dumping and unauthorized removal. Toilet paper spindles are carried in vandal resistant subframe accessible when door is opened.

***TECHNICAL INFORMATION / PRODUCT PROPERTIES***

<b>Property</b>	<b>Value</b>
Dimensions	17-3/8" [441] W x 4-1/2" [114] x 30-5/8" [778] H
Construction	Type 304 Stainless Steel - Satin Finish
Mounting	Surface Mounted.
Capacity	1,000 seat covers 4 Rolls of Toilet Tissues

***INSTALLATION***

Slide a stainless steel collar over the rear of cabinet and then surface mount cabinet to partition or wall using #10 self-threading screws (by others) through concealed mounting holes provided.

***WARRANTY***

One (1) Year from date of Invoice