



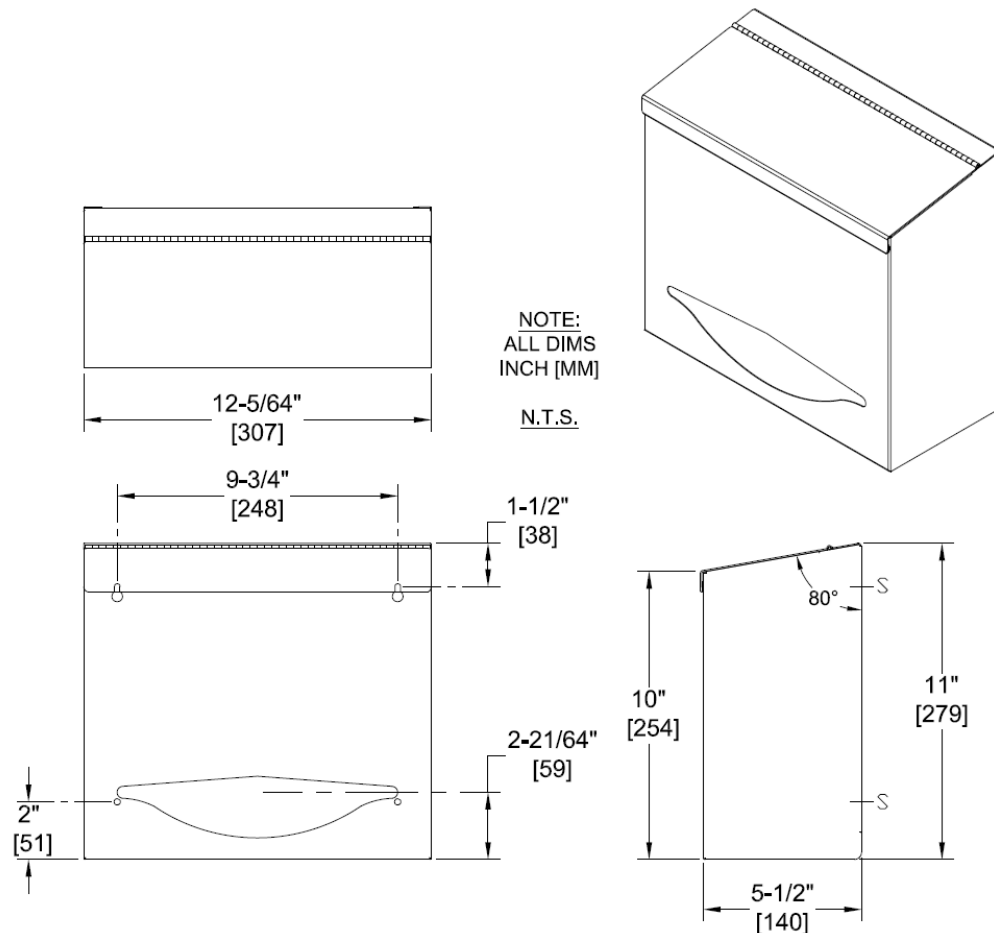
AMERICAN SPECIALTIES, INC.
441 Saw Mill River Road, Yonkers, NY 10701
(914) 476.9000 • (914) 476.0688
www.americanspecialties.com

MODEL №: 0511

ISSUED: 06/2017

REVISED:

SURFACE MOUNTED BULK DISPENSER - SMALL



SPECIFICATION

Surface Mounted Bulk Dispenser shall hold various personal protection equipment (e.g. gloves, caps, shoe covers; by others) in bulk. Dispenser cover shall be fabricated of 18 gauge stainless steel type 304 alloy 18-8. Box body shall be 22 gauge. Box body back shall be 20 gauge. All exposed surfaces shall have a satin finish and shall be protected during shipment with a PVC film easily removable after installation. Dispensing slot shall have a fully hemmed-in rolled edge for snag-free dispensing and user safety.

Surface Mounted Bulk Dispenser - Small shall be Model № 0511 as fabricated by American Specialties, Inc. 441 Saw Mill River Road Yonkers, New York 10701-4913

INSTALLATION

Dispenser is surface mounted on wall or partition. Hang dispenser on two (2) pre-installed № 10 self-threading screws (by others) using keyhole openings provided. When dispenser is positioned, lock in place using two (2) № 10 self-threading screws (by others) through bottom holes provided into appropriate anchors (by others). Recommended mounting height is between 59" and 74" [1499 and 1880] above finished floor (AFF) from top of dispenser. For compliance with 2010 ADA Accessibility Standards, install unit so that dispenser slot is 48" [1219] maximum AFF if clear floor reach access is provided or 46" [1168] maximum AFF if side reach over an obstruction is only provided (e.g. vanity).

OPERATION

Personal protection products are self-feeding until supply is depleted.