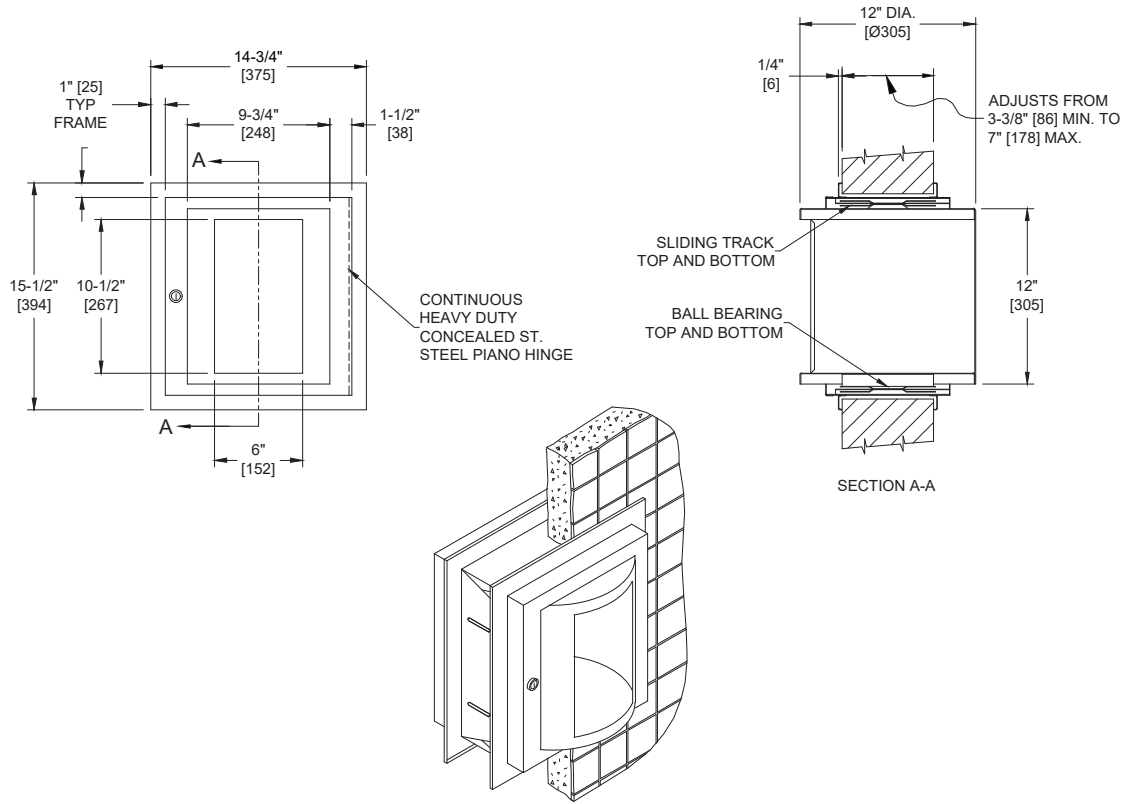


**Specimen Pass Box (Turntable) – Recessed**

Healthcare Accessories

MasterFormat Section 10 28 13



**SUSTAINABILITY/LEED**

MR 4.1 (1) MR 6 (1) EQ 4.2 (1)  
MR 4.2 (1) EQ 4.1 (1) EQ 4.4 (1)

**NOTE:**  
ALL DIM'S INCH [MM]  
ILLUSTRATION FOR REF ONLY AND NTS

**PRODUCT OVERVIEW**

Turntable cylinder is 12" diameter [Ø305] with 10-1/2" [167] x 6" [152] opening. Stainless steel self-lubricating ball bearing plates mounted on top and bottom permit the unit to rotate freely. Positioned bullet catches prevent uncontrolled rotation. Tumbler lock allows for the removal of the cylinder for sterilizing or autoclaving when necessary. Specimen container is placed inside the turntable cylinder and is then manually rotated clockwise or counterclockwise 180° to present the container to the rear opening for retrieval by technician. Service access to the unit is gained by unlocking and opening the door.

**KEY FEATURES & SPECIFICATIONS**

- Turntable can be accessed by both sides
- Type 304 Stainless Steel - Satin Finish
- Recessed

**OPERATION & MAINTENANCE**

Specimen container is placed inside the turntable cylinder and is then manually rotated clockwise or counterclockwise 180° to present the container to the rear opening for retrieval by technician. Service access to the unit is gained by unlocking and opening the door.

**TECHNICAL INFORMATION / PRODUCT PROPERTIES**

Property	Value
Dimensions	14-3/4" [357] W x 15-1/2" [394] H
Construction	Type 304 Stainless Steel - Satin Finish
Mounting	Recessed
Capacity	N/A

**INSTALLATION**

Adjustable trim accommodates wall thickness of 3-3/8" [86] to 7" [178].

Rough Wall Opening (RWO) required is 13-1/4" [337] W x 14" H [356] x 3-3/8" [86] to 7" [178] wall thickness

**WARRANTY**

One (1) Year from date of Invoice