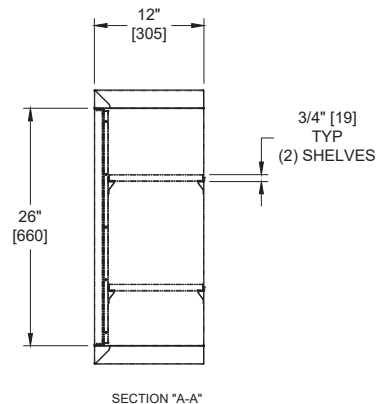
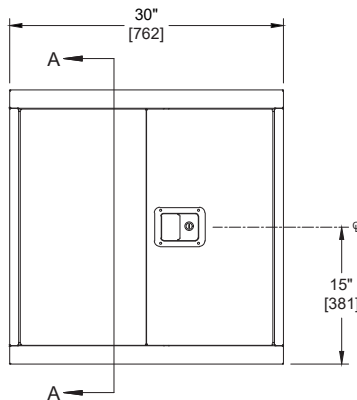
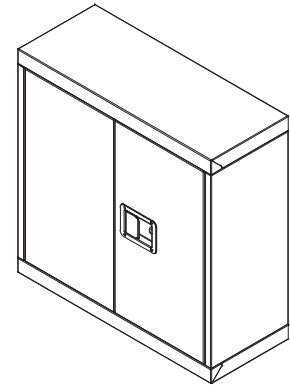
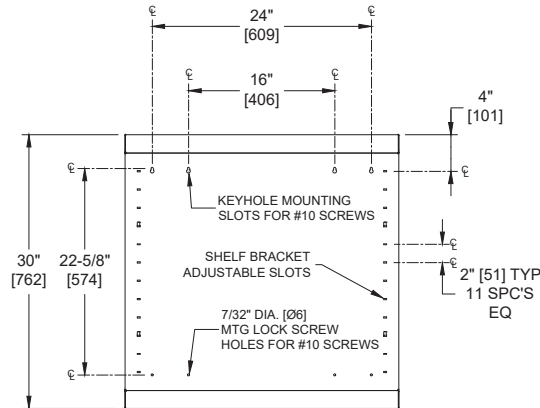


Security Medicine Cabinet

Security Accessories

MasterFormat Section 10 28 13



NOTE:
ALL DIM'S INCH [MM]
ILLUSTRATION FOR REF ONLY AND NTS

Scan for Information



SUSTAINABILITY/LEED

MR 4.1 (1) MR 6 (1) EQ 4.2 (1)
MR 4.2 (1) EQ 4.1 (1) EQ 4.4 (1)

PRODUCT OVERVIEW

Doors are attached to cabinet with welded on full length 3/16" Dia. [Ø5] piano hinges and have hemmed returns and concealed overlap center to prevent unauthorized access. Paddle type tumbler locked latch with two (2) point security bolts shall hold both doors closed. Stainless steel satin finish shelves easily adjusted by owner using track clips provided. Two (2) shelves and eight (8) clips are provided.

KEY FEATURES & SPECIFICATIONS

- Concealed overlap center prevents unauthorized access.
- Door is secured shut with two (2) point security bolts
- Type 304 Stainless Steel - Satin Finish
- 18 gauge Door is attached to 20 gauge cabinet with welded on full length 3/16" Dia. [Ø5] piano hinges
- Surface Mounted
- Comes with a paddle type latch
- Two (2) stainless steel adjustable full depth shelves are included

OPERATION & MAINTENANCE

Surface mounted security meds cabinet shall hold various size items on two (2) stainless steel adjustable full depth shelves (provided) positioned in cabinet by four (4) track clips per shelf (supplied). Shelves may be easily adjusted by owner after unit is installed by repositioning bracket clips in tracks provided. Locked compartment prevents unauthorized access or contents removal.

TECHNICAL INFORMATION / PRODUCT PROPERTIES

Property	Value
Dimensions	30" [762] W x 30" [762] Hx 12" [305] D
Construction	Type 304 Stainless Steel - Satin Finish
Mounting	Surface Mounted
Capacity	

INSTALLATION

Hang unit on wall on pre-installed four (4) # 10 self-threading screws (by others) with concealed keyhole slots provided in cabinet back and lock unit in position with four (4) # 10 self-threading screws (by others) through concealed mounting holes provided. For compliance with 2010 ADA Accessibility Standards install unit with pre-positioned top shelf no higher than 44" [1118] maximum Above Finished Floor (AFF).

WARRANTY

One (1) Year from date of Invoice